

# STOUT & DEBITAP STYLE

## STOUT FAUCETS

PART	DESCRIPTION	CLOSURE	FINISH
01045	Non-Flow Control	Diaphragm	Polished S.S.
01046	Non-Flow Control	Diaphragm	Brass Plated
01044	Flow Control	Diaphragm	Black Plastic
02325	Non-Flow Control	Piston	Chrome Plated
02326	Non-Flow Control	Piston	Gold Plated

## PARTS FOR 01045 - 01046

PART	DESCRIPTION
02327	Detachable Spout
02329	Creamer Plate
02331	Flow Straightener
02333	O-Ring

## PARTS FOR 01044

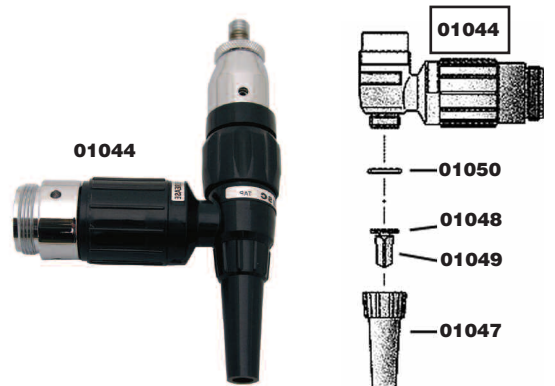
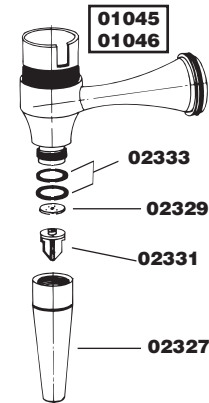
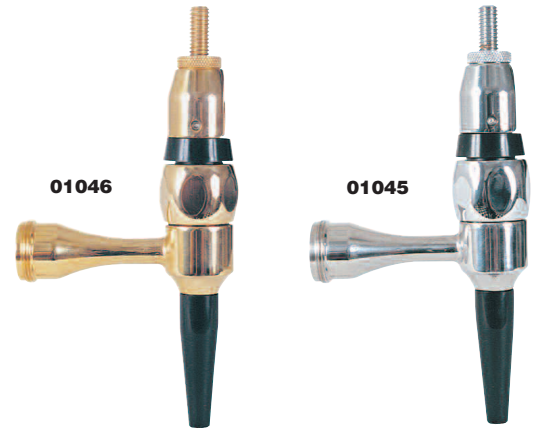
PART	DESCRIPTION
01047	Detachable Spout
01048	Creamer Plate
01049	Flow Straightener
01050	O-Ring

## PARTS FOR 02325 - 02326

PART	DESCRIPTION
02328	Detachable Spout
02330	Creamer Plate
02332	Flow Straightener
02334	O-Ring

## DEBITAP FAUCETS

PART	DESCRIPTION	FINISH
02397	North American Connection	Polished S.S.
02396	European Connection	Polished S.S.



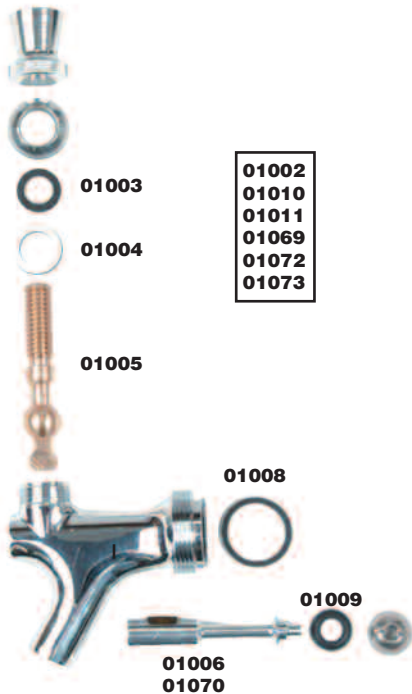
# NORTH AMERICAN STYLE

## STANDARD FAUCETS

PART	DESCRIPTION	FINISH
01002	Round Style Bonnet Plated	Ch r o m e
01010	Nut Style Bonnet Chrome Plated	
01011	Round Style Bonnet, Flat Top Body Plated	C h r o m e
01069	Round Style Bonnet	Brass Polished

## PARTS FOR 01002 - 01073

PART	DESCRIPTION
01003	Friction Washer
01004	Ball Washer
01005	Knob Lever
01006	Shaft Assembly - Chrome
01008	Coupling Gasket
01009	Half Round Valve Seat
01070	Shaft Assembly - Brass



FAUCETS

# EUROPEAN STYLE

## STANDARD

PART	DESCRIPTION	FINISH
01007	N.A. Connection, S.S. Tip	Chrom e Plated

## PARTS FOR 01007 & 01071

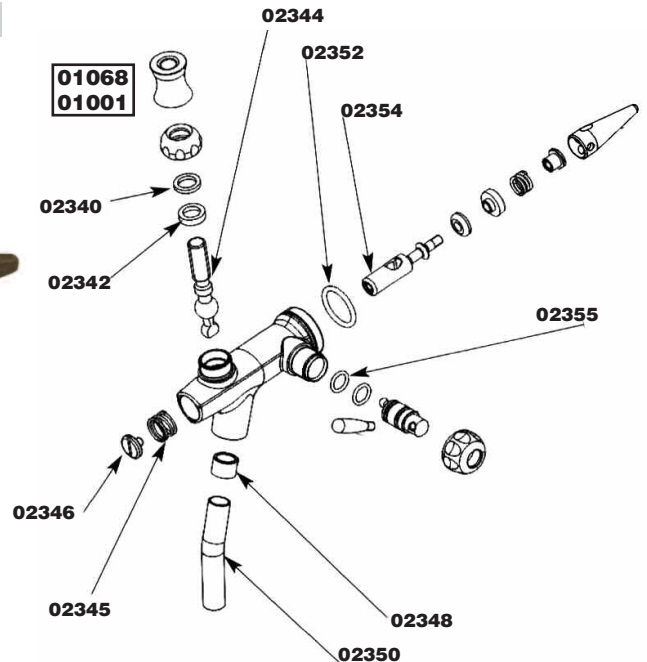
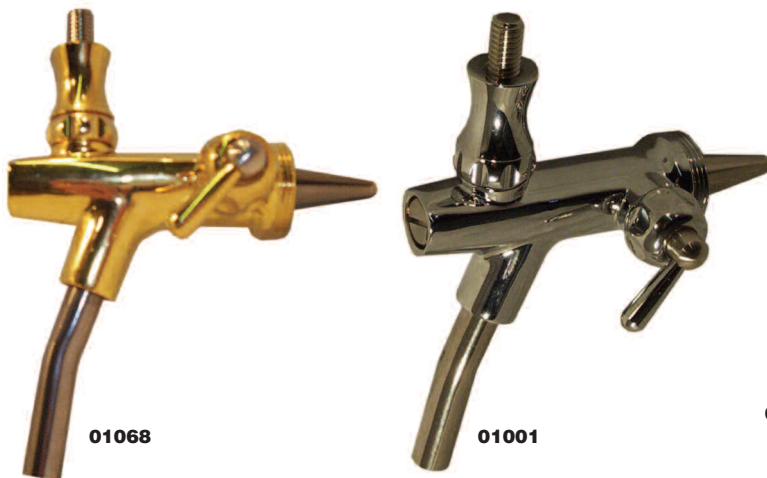
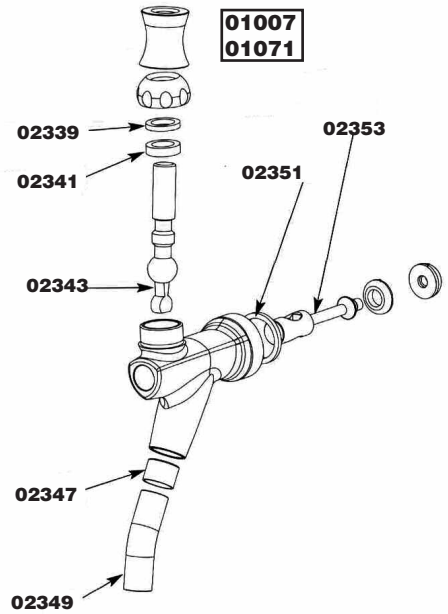
PART	DESCRIPTION
02339	Friction Washer
02341	Ball Washer
02343	Knob Lever
02347	Bushing For Spout
02349	Spout
02351	Coupling Gasket
02353	Shaft Assembly

## FLOW CONTROL

PART	DESCRIPTION	FINISH
01001	Euro Connection, S.S. Tip	Chrom e Plated

## PARTS FOR 01001 & 01068

PART	DESCRIPTION
02340	Friction Washer
02342	Ball Washer
02344	Knob Lever
02345	Spring
02346	Nut for Spring Housing
02348	Bushing for Spout
02350	Spout
02352	Coupling Gasket
02354	Shaft Assembly
02355	O Ring



\*Special order