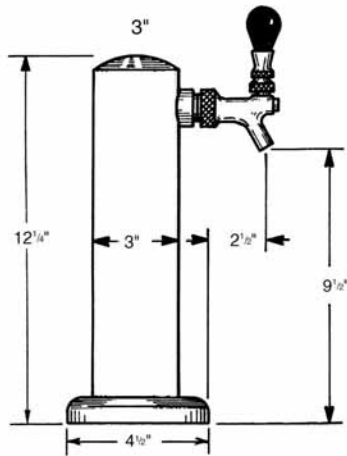
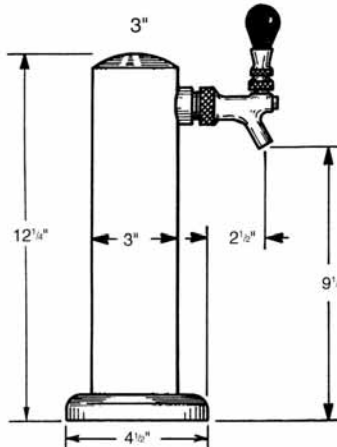




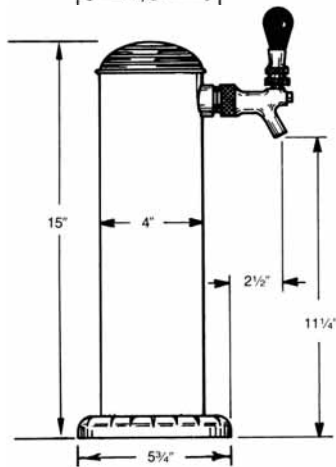
01579



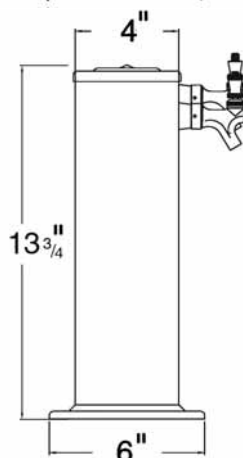
01707



01583



01584



ONE TAP OPTIONS

PART	TAPS	COLUMN	FINISH	BASE	COLD KIT
01579	1	3"	Chrome Plated	4 1/2"	AIR
01706	1	3"	Polished Brass	4 1/2"	AIR

DRIP TRAY OPTIONS

PART	SIZE	FINISH	RINSER
01821	15" x 5" x 3/4"	Polished S.S.	NO
01824	15" x 5" x 1 1/8"	Brushed S.S.	NO
01836	400mmx400mmx40mm	Polished S.S.	YES
02042	15" x 5" x 1 1/8"	Brushed S.S.	YES
01834	400mmx180mmx30mm	Polished S.S.	YES
01848	15" x 5" x 3/4"	Polished Brass	NO
01865	400mmx400mmx40mm	Brass Plated	YES

For drip trays see pages 24-27

TWO TAP OPTIONS

PART	TAPS	COLUMN	FINISH	BASE	COLD KIT
01580	2	3"	Chrome Plated	4 1/2"	AIR
01707	2	3"	Polished Brass	4 1/2"	AIR

DRIP TRAY OPTIONS

PART	SIZE	FINISH	RINSER
01821	15" x 5" x 3/4"	Polished S.S.	NO
01824	15" x 5" x 1 1/8"	Brushed S.S.	NO
01836	400mmx400mmx40mm	Polished S.S.	YES
02042	15" x 5" x 1 1/8"	Brushed S.S.	YES
01834	400mmx180mmx30mm	Polished S.S.	YES
01848	15" x 5" x 3/4"	Polished Brass	NO
01865	400mmx400mmx40mm	Brass Plated	YES

For drip trays see pages 24-27

THREE TAP OPTIONS

PART	TAPS	COLUMN	FINISH	BASE	COLD KIT
01583	3	4"	Chrome Plated	5 3/4"	AIR
01710	3	4"	Polished Brass	5 3/4"	AIR

DRIP TRAY OPTIONS

PART	SIZE	FINISH	RINSER
01821	15" x 5" x 3/4"	Polished S.S.	NO
01824	15" x 5" x 1 1/8"	Brushed S.S.	NO
01836	400mmx400mmx40mm	Polished S.S.	YES
02042	15" x 5" x 1 1/8"	Brushed S.S.	YES
01818	14" x 8" x 3/4" w/6 1/4"	Polished S.S.	NO
01834	400mmx180mmx30mm	Polished S.S.	YES
01846	14" x 8" x 3/4" w/6 1/4"	Polished Brass	NO
01848	15" x 5" x 3/4"	Polished Brass	NO
01865	400mmx400mmx40mm	Brass Plated	YES

For drip trays see pages 24-27

FOUR TAP OPTIONS

PART	TAPS	COLUMN	FINISH	BASE	COLD KIT
*01584	4	4"	Brushed S.S.	6"	AIR
*01711	4	4"	PVD	6"	AIR

DRIP TRAY OPTIONS

PART	SIZE	FINISH	RINSER
01836	400mmx400mmx40mm	Polished S.S.	YES
01846	14" x 8" x 3/4" w/6 1/4"	Polished Brass	NO
01818	14" x 8" x 3/4" w/6 1/4"	Polished S.S.	NO
01865	400mmx400mmx40mm	Brass Plated	YES

For drip trays see pages 24-27

*Special order item.

Note: All traditional towers are available with special order black/chrome or black/brass finishes. All traditional towers are available with special order remote copper cold kits.

MINI-MUSHROOM

STRAIGHT OPTIONS

PART	TAPS	STYLE	FINISH	COLD KIT
*01599	3	Straight	Chrome Plated	Copper
*01722	3	Straight	Polished Brass	Copper
01600	4	Straight	Chrome Plated	Copper
*01723	4	Straight	Polished Brass	Copper
01601	5	Straight	Chrome Plated	Copper
*01724	5	Straight	Polished Brass	Copper

DRIP TRAY OPTIONS

SUITABLE FOR 3 OR 4 TAPS

PART	SIZE	FINISH	RINSER
01821	15" x 5" x 3/4"	Polished S.S.	NO
01824	15" x 5" x 1 1/8"	Brushed S.S.	NO
01836	400mmx400mmx40mm	Polished S.S.	YES
01834	400mmx180mmx30mm	Polished S.S.	YES
02042	15" x 5" x 1 1/8"	Brushed S.S.	YES
01818	14" x 8" x 3/4" w/6 1/4"	Polished S.S.	NO
01846	14" x 8" x 3/4" w/6 1/4"	Polished Brass	NO
01848	15" x 5" x 3/4"	Polished Brass	NO
01865	400mmx400mmx40mm	Brass Plated	YES

SUITABLE FOR 5 TAPS

01818	14" x 8" x 3/4" w/6 1/4"	Polished S.S.	NO
01846	14" x 8" x 3/4" w/6 1/4"	Polished Brass	NO

For drip trays see pages 24-27

CORRUGATED OPTIONS

PART	TAPS	STYLE	FINISH	COLD KIT
*01605	3	Corrugated	Chrome Plated	Copper
*01728	3	Corrugated	Polished Brass	Copper
01606	4	Corrugated	Chrome Plated	Copper
*01729	4	Corrugated	Polished Brass	Copper
01607	5	Corrugated	Chrome Plated	Copper
*01730	5	Corrugated	Polished Brass	Copper

DRIP TRAY OPTIONS

SUITABLE FOR 3 OR 4 TAPS

PART	SIZE	FINISH	RINSER
01821	15" x 5" x 3/4"	Polished S.S.	NO
01824	15" x 5" x 1 1/8"	Brushed S.S.	NO
01836	400mmx400mmx40mm	Polished S.S.	YES
01834	400mmx180mmx30mm	Polished S.S.	YES
02042	15" x 5" x 1 1/8"	Brushed S.S.	YES
01818	14" x 8" x 3/4" w/6 1/4"	Polished S.S.	NO
01846	14" x 8" x 3/4" w/6 1/4"	Polished Brass	NO
01848	15" x 5" x 3/4"	Polished Brass	NO
01865	400mmx400mmx40mm	Brass Plated	YES

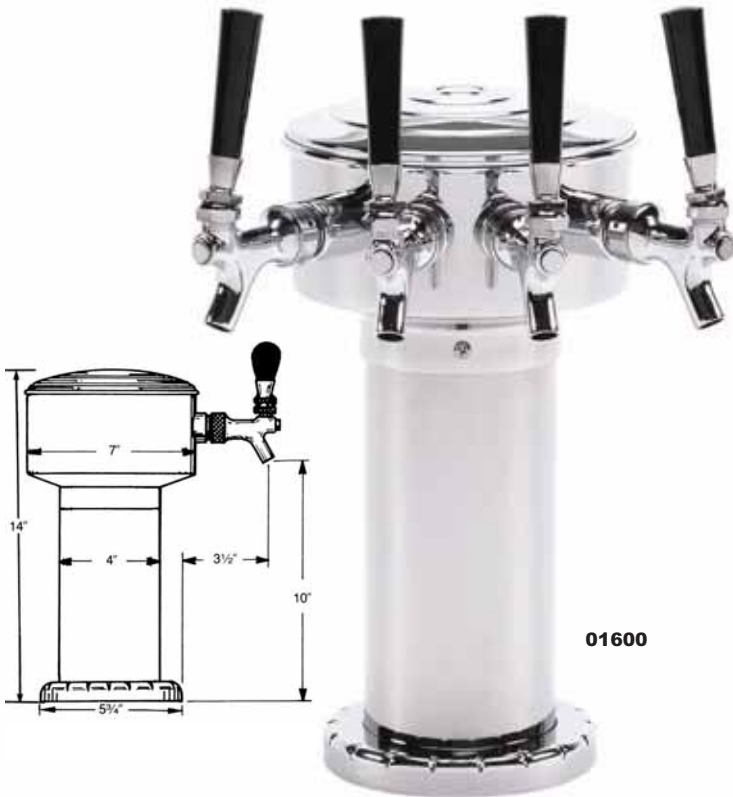
SUITABLE FOR 5 TAPS

01818	14" x 8" x 3/4" w/6 1/4"	Polished S.S.	NO
01846	14" x 8" x 3/4" w/6 1/4"	Polished Brass	NO

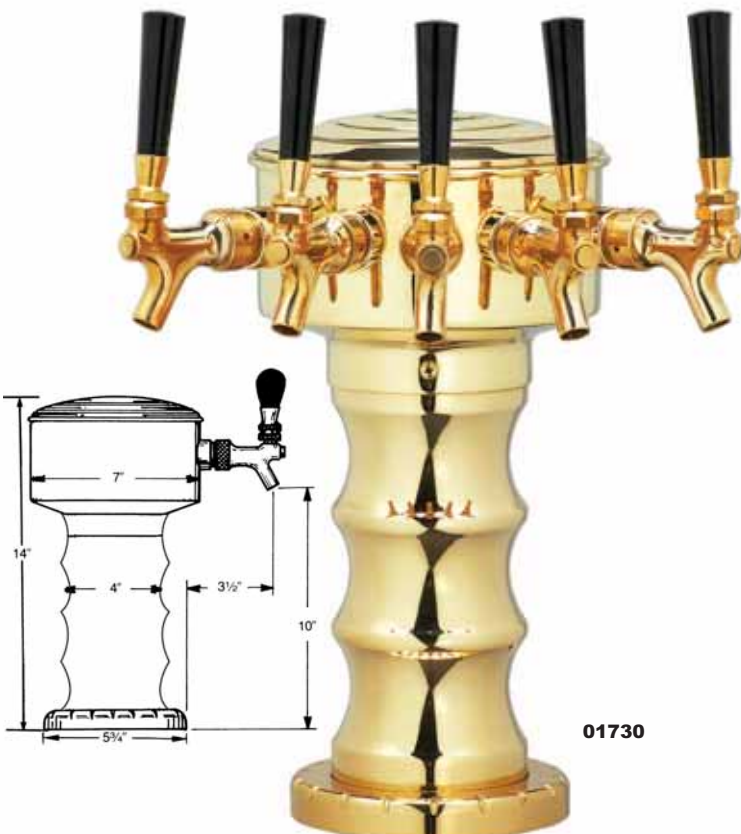
For drip trays see pages 24-27

*Special order item.

Note: All mini-mushroom towers are available with special order black/chrome or black/brass finishes.



01600



01730

MUSHROOM

TAPER OPTIONS

PART	TAPS	STYLE	FINISH	COLD KIT
*01611	3	Taper	Chrome Plated	Copper
*01734	3	Taper	Polished Brass	Copper
*01612	4	Taper	Chrome Plated	Copper
*01735	4	Taper	Polished Brass	Copper
*01613	5	Taper	Chrome Plated	Copper
*02043	5	Taper	Polished Brass	Copper
01614	6	Taper	Chrome Plated	Copper
*01736	6	Taper	Polished Brass	Copper

DRIP TRAY OPTIONS

SUITABLE FOR 3 OR 4 TAPS

PART	SIZE	FINISH	RINSER
01834	400mmx180mmx30mm	Polished S.S.	YES
01821	15" x 5" x 3/4"	Polished S.S.	NO
01824	15" x 5" x 1 1/8"	Brushed S.S.	NO
02042	15" x 5" x 1 1/8"	Brushed S.S.	YES
01820	19" x 9" x 3/4" w/7 1/2"	Polished S.S.	NO
01848	15" x 5" x 3/4"	Polished Brass	NO
01847	19" x 9" x 3/4" w/7 1/2"	Polished Brass	NO

SUITABLE FOR 5 OR 6 TAPS

01820	19" x 9" x 3/4" w/7 1/2"	Polished S.S.	NO
01847	19" x 9" x 3/4" w/7 1/2"	Polished Brass	NO

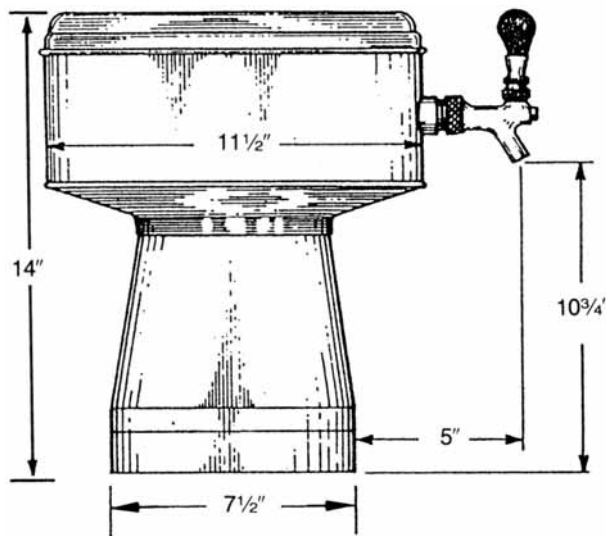
For drip trays see pages 24-27



01613



01736



*Special order item.

Note: All mushroom towers are available with special order black/chrome or black/brass finishes.

ONE TAP OPTIONS

PART	TAPS	STYLE	FINISH	COLD KIT
01585	1	Cobra	Chrome Plated	Copper
01712	1	Cobra	Gold Plated	Copper

DRIP TRAY OPTIONS

PART	SIZE	FINISH	RINSER
01836	400mmx400mmx40mm	Polished S.S.	YES
01821	15" x 5" x 3/4"	Polished S.S.	NO
01824	15" x 5" x 1 1/8"	Brushed S.S.	NO
02042	15" x 5" x 1 1/8"	Brushed S.S.	YES
01834	400mmx180mmx30mm	Polished S.S.	YES
01848	15" x 5" x 3/4"	Polished Brass	NO
01865	400mmx400mmx40mm	Brass Plated	YES

For drip trays see pages 24-27

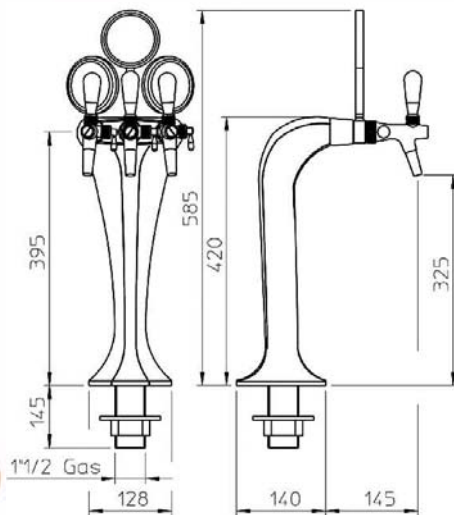
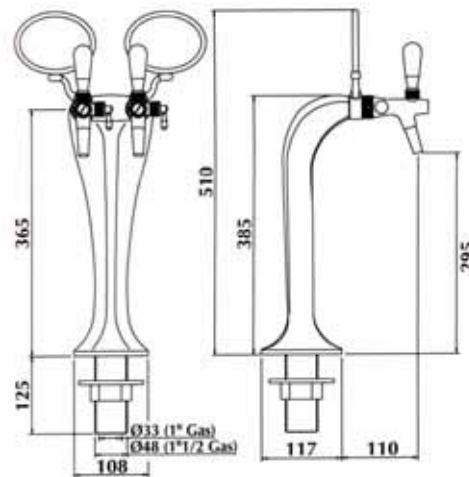
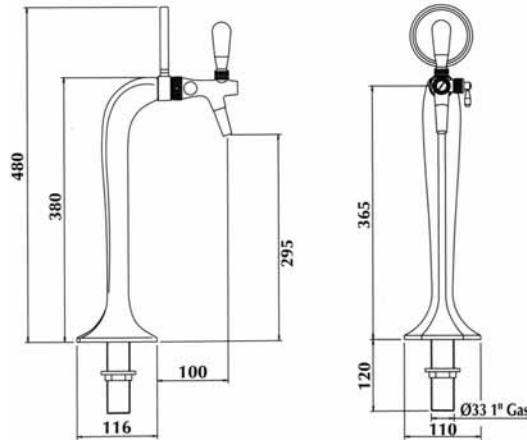
TWO TAP OPTIONS

PART	TAPS	STYLE	FINISH	COLD KIT
01586	2	Cobra	Chrome Plated	Copper
01713	2	Cobra	Gold Plated	Copper

DRIP TRAY OPTIONS

PART	SIZE	FINISH	RINSER
01836	400mmx400mmx40mm	Polished S.S.	YES
01821	15" x 5" x 3/4"	Polished S.S.	NO
01824	15" x 5" x 1 1/8"	Brushed S.S.	NO
02042	15" x 5" x 1 1/8"	Brushed S.S.	YES
01834	400mmx180mmx30mm	Polished S.S.	YES
01848	15" x 5" x 3/4"	Polished Brass	NO
01865	400mmx400mmx40mm	Brass Plated	YES

For drip trays see pages 24-27



THREE TAP OPTIONS

PART	TAPS	STYLE	FINISH	COLD KIT
01587	3	Cobra	Chrome Plated	Copper
01714	3	Cobra	Gold Plated	Copper

DRIP TRAY OPTIONS

PART	SIZE	FINISH	RINSER
01836	400mmx400mmx40mm	Polished S.S.	YES
01821	15" x 5" x 3/4"	Polished S.S.	NO
01824	15" x 5" x 1 1/8"	Brushed S.S.	NO
02042	15" x 5" x 1 1/8"	Brushed S.S.	YES
01834	400mmx180mmx30mm	Polished S.S.	YES
01848	15" x 5" x 3/4"	Polished Brass	NO
01865	400mmx400mmx40mm	Brass Plated	YES

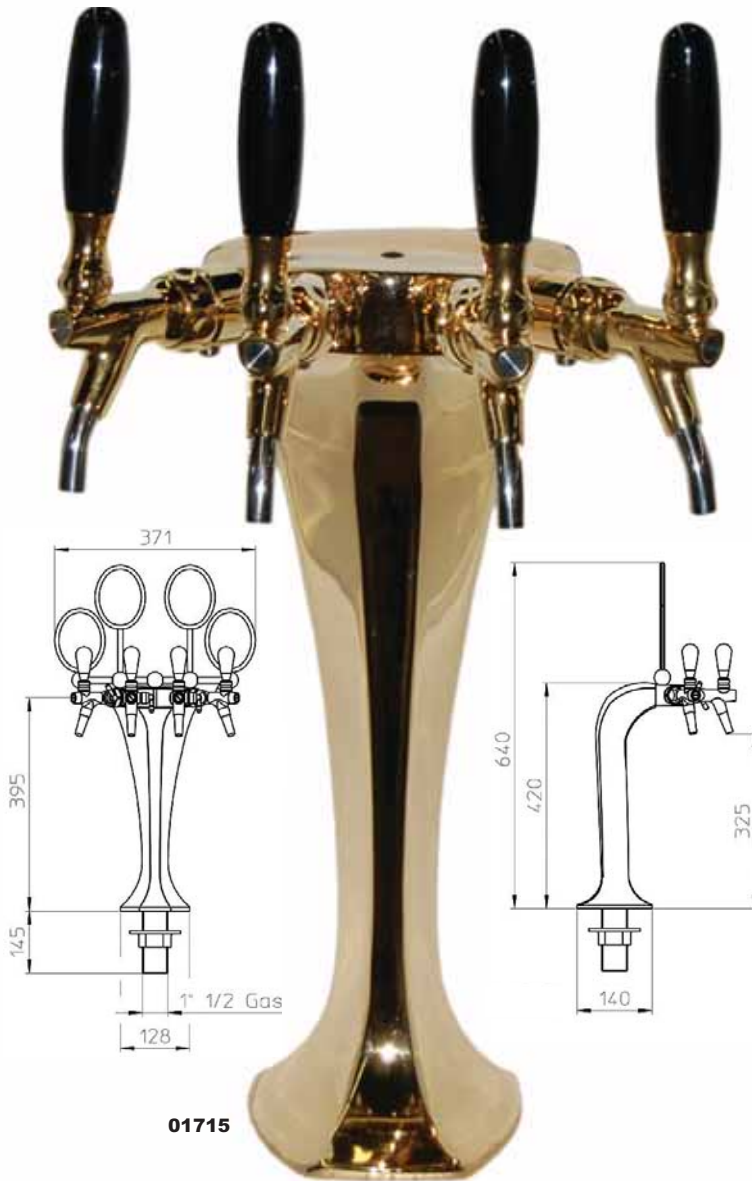
For drip trays see pages 24-27

Note: All Cobra™ towers listed are available with special order top medallion holders and/or flow control faucets.

Cobra™ is a trademark of Celli S.P.A.

COBRA™, FALCO & HOLLAND

TOWERS



01715

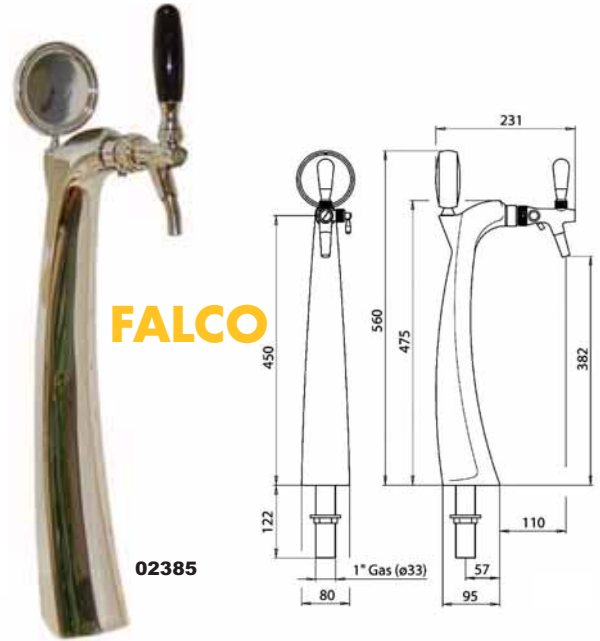
FOUR TAP OPTIONS

PART	TAPS	STYLE	FINISH	COLD KIT
01588	4	Cobra	Chrome Plated	Copper
01715	4	Cobra	Gold Plated	Copper

DRIP TRAY OPTIONS

PART	SIZE	FINISH	RINSER
01836	400mmx400mmx40mm	Polished S.S.	YES
01821	15" x 5" x 3/4"	Polished S.S.	NO
01824	15" x 5" x 1 1/8"	Brushed S.S.	NO
02042	15" x 5" x 1 1/8"	Brushed S.S.	YES
01834	400mmx180mmx30mm	Polished S.S.	YES
01848	15" x 5" x 3/4"	Polished Brass	NO
01865	400mmx400mmx40mm	Brass Plated	YES

For drip trays see pages 24-27



FALCO

02385

ONE TAP OPTIONS

PART	TAPS	STYLE	FINISH	COLD KIT
*02385	1	Falco	Chrome Plated	Copper

ONE TAP OPTIONS

PART	TAPS	STYLE	FINISH	COLD KIT
*02386	1	Holland	Chrome Plated	Copper

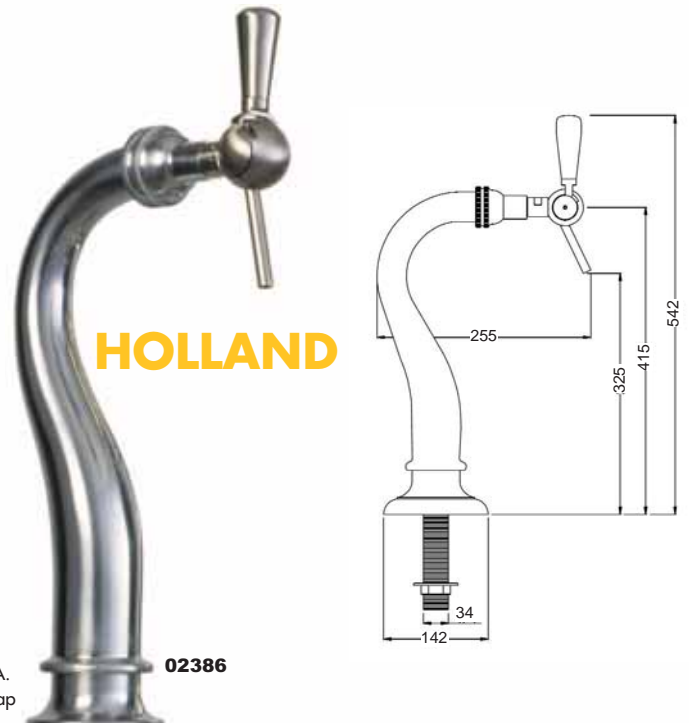
DRIP TRAY OPTIONS

PART	SIZE	FINISH	RINSER
01836	400mmx400mmx40mm	Polished S.S.	YES
01821	15" x 5" x 3/4"	Polished S.S.	NO
01824	15" x 5" x 1 1/8"	Brushed S.S.	NO
02042	15" x 5" x 1 1/8"	Brushed S.S.	YES
01834	400mmx180mmx30mm	Polished S.S.	YES

For drip trays see pages 24-27

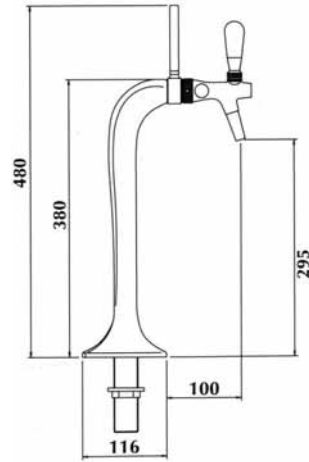
*Special order items.

Note: Four tap Cobra™ towers listed are available with special order top medallion holders and/or flow control faucets. Cobra™ is a trademark of Celli S.P.A. Falco towers include non-illuminated medallion holder. Holland towers include Debitap style faucet.



HOLLAND

02386



ONE TAP OPTIONS

PART	TAPS	STYLE	FINISH	COLD KIT
01590	1	Cobra	Chrome Plated	Frost
01716	1	Cobra	Gold Plated	Frost

DRIP TRAY OPTIONS

PART	SIZE	FINISH	RINSER
01836	400mmx400mmx40mm	Polished S.S.	YES
01865	400mmx400mmx40mm	Brass Plated	YES

For drip trays see pages 24-27

TWO TAP OPTIONS

PART	TAPS	STYLE	FINISH	COLD KIT
01591	2	Cobra	Chrome Plated	Frost
01717	2	Cobra	Gold Plated	Frost

DRIP TRAY OPTIONS

PART	SIZE	FINISH	RINSER
01836	400mmx400mmx40mm	Polished S.S.	YES
01865	400mmx400mmx40mm	Brass Plated	YES

For drip trays see pages 24-27

THREE TAP OPTIONS

PART	TAPS	STYLE	FINISH	COLD KIT
01592	3	Cobra	Polished S.S.	Frost

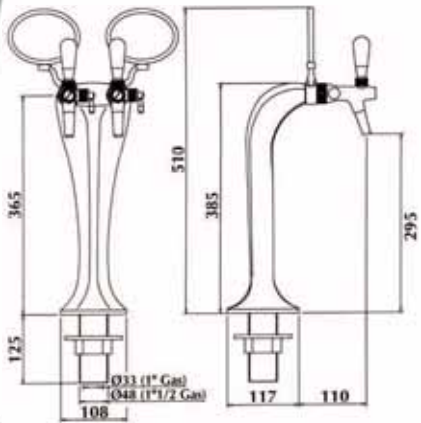
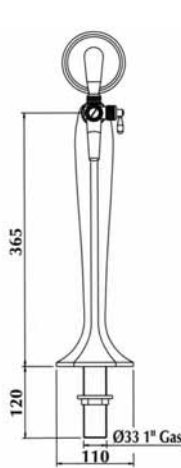
DRIP TRAY OPTIONS

PART	SIZE	FINISH	RINSER
01836	400mmx400mmx40mm	Polished S.S.	YES

For drip trays see pages 24-27

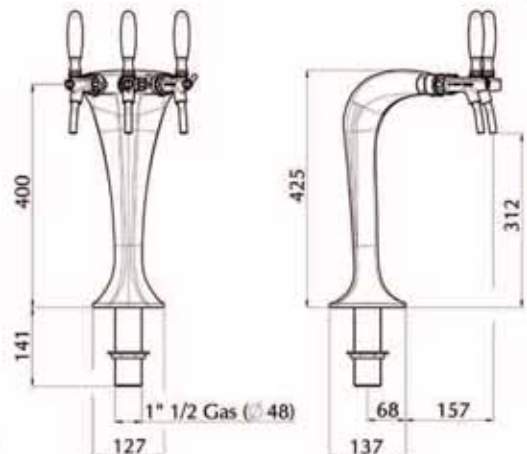
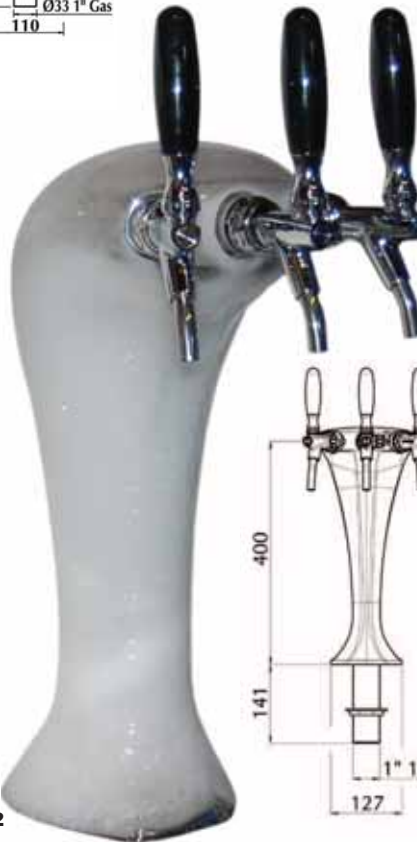
01716

01590



01591

01592



Note that special order top medallion holders and/or flow control faucets are available.
Cobra™ is a registered trademark of Celli S.P.A.

FROST COBRA™ & ANFO

TOWERS



01593

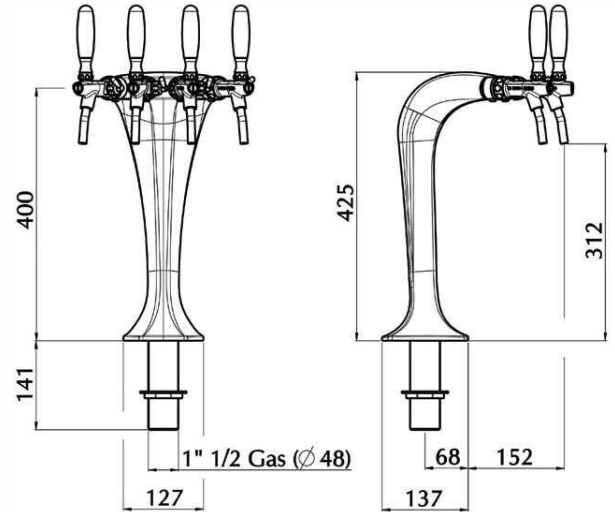
FOUR TAP OPTIONS

PART	TAPS	STYLE	FINISH	COLD KIT
01593	4	Cobra	Polished S.S.	Frost

DRIP TRAY OPTIONS

PART	SIZE	FINISH	RINSER
01837	600mmx400mmx40mm	Polished S.S.	YES

For drip trays see pages 24-27



ANFO

ONE & TWO TAP OPTIONS

PART	TAPS	STYLE	FINISH	COLD KIT
*02394	1	Anfo	Chrome Plated	Copper
*02395	2	Anfo	Chrome Plated	Copper

DRIP TRAY OPTIONS

PART	SIZE	FINISH	RINSER
01836	400mmx400mmx40mm	Polished S.S.	YES
01821	15" x 5" x 3/4"	Polished S.S.	NO
01824	15" x 5" x 1 1/8"	Brushed S.S.	NO
02042	15" x 5" x 1 1/8"	Brushed S.S.	YES
01834	400mmx180mmx30mm	Polished S.S.	YES

For drip trays see pages 24-27



02394

*Special order item.

Note: Four tap Cobra™ tower listed is available with special order flow control faucets.
Cobra™ is a trademark of Celli S.P.A.
Anfo towers include Debitap style faucets.

TWO & THREE TAP OPTIONS

PART	TAPS	STYLE	FINISH	COLD KIT
01664	2	"T"	Chrome Plated	Copper
*01785	2	"T"	Gold Plated	Copper
01665	3	"T"	Chrome Plated	Copper
*01786	3	"T"	Gold Plated	Copper

DRIP TRAY OPTIONS

PART	SIZE	FINISH	RINSER
01837	600mmx400mmx40mm	Polished S.S.	YES
01821	15" x 5" x 3/4"	Polished S.S.	NO
01824	15" x 5" x 1 1/8"	Brushed S.S.	NO
02042	15" x 5" x 1 1/8"	Brushed S.S.	YES
01834	400mmx180mmx30mm	Polished S.S.	YES
01848	15" x 5" x 3/4"	Polished Brass	NO
01866	600mmx400mmx40mm	Brass Plated	YES

For drip trays see pages 24-27

FOUR & FIVE TAP OPTIONS

PART	TAPS	STYLE	FINISH	COLD KIT
01666	4	"T"	Chrome Plated	Copper
*01787	4	"T"	Gold Plated	Copper
01667	5	"T"	Chrome Plated	Copper
*01788	5	"T"	Gold Plated	Copper

DRIP TRAY OPTIONS

PART	SIZE	FINISH	RINSER
01838	800mmx400mmx40mm	Polished S.S.	YES
01823	24" x 5" x 3/4"	Polished S.S.	NO
01835	600mmx220mmx30mm	Polished S.S.	YES
02392	25" x 5" x 1 1/8"	Brushed S.S.	NO
02393	25" x 5" x 1 1/8"	Brushed S.S.	YES
01850	24" x 5" x 3/4"	Polished Brass	NO
01867	800mmx400mmx40mm	Brass Plated	YES

For drip trays see pages 24-27

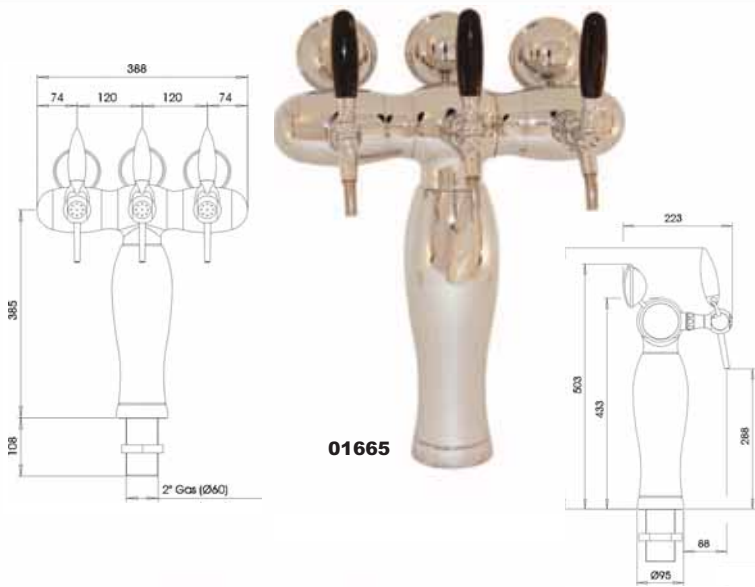
SIX & SEVEN TAP OPTIONS

PART	TAPS	STYLE	FINISH	COLD KIT
01668	6	"U"	Chrome Plated	Copper
*01789	6	"U"	Gold Plated	Copper
01669	7	"U"	Chrome Plated	Copper
*01790	7	"U"	Gold Plated	Copper

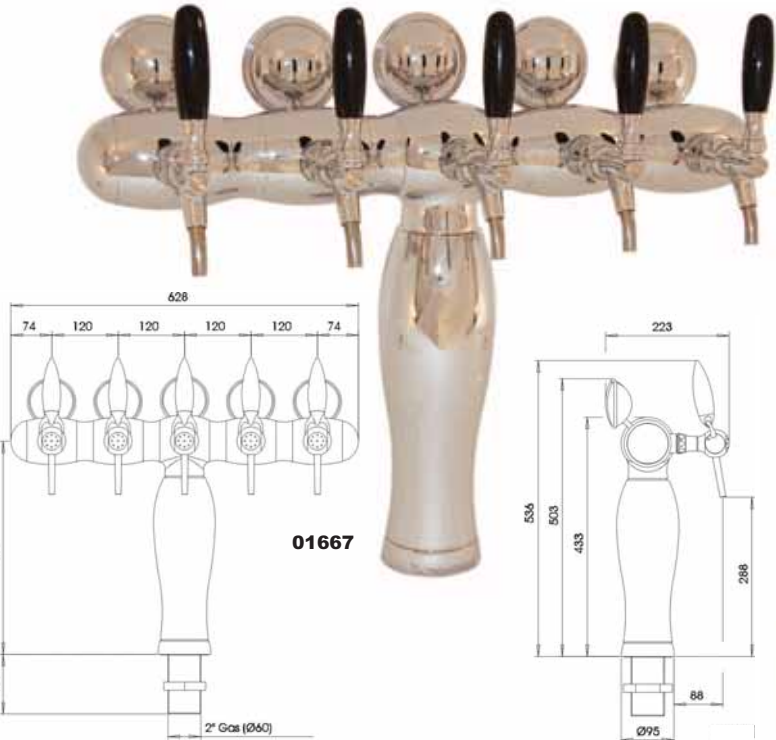
DRIP TRAY OPTIONS

PART	SIZE	FINISH	RINSER
01839	1000mmx500mmx40mm	Polished S.S.	YES
*01868	1000mmx500mmx40mm	Brass Plated	YES

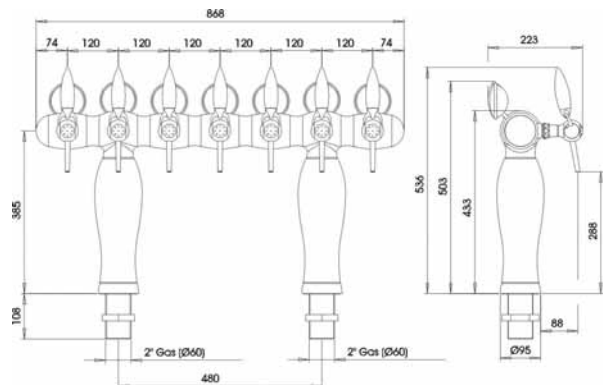
For drip trays see pages 24-27



01665



01667



01669

*Special order item.

All Juliette gold plated towers and some drip trays are special order items.

Note: All Juliette towers are equipped with non-illuminated top front medallion holders.

ONE & SIX TAP OPTIONS

PART	TAPS	STYLE	FINISH	COLD KIT
*02405	1	Tecna	Polished Alum.	Copper
*02387	6	Tecna	Polished Alum.	Copper

DRIP TRAY OPTIONS

SUGGESTED DRIP TRAYS FOR 1 TAP

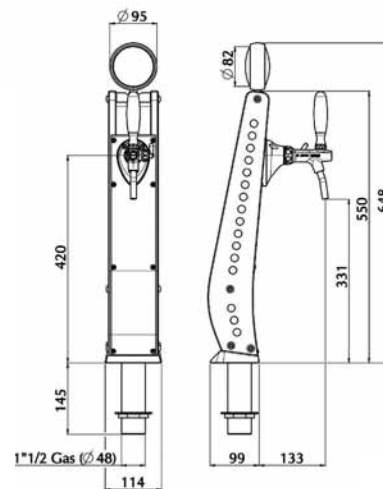
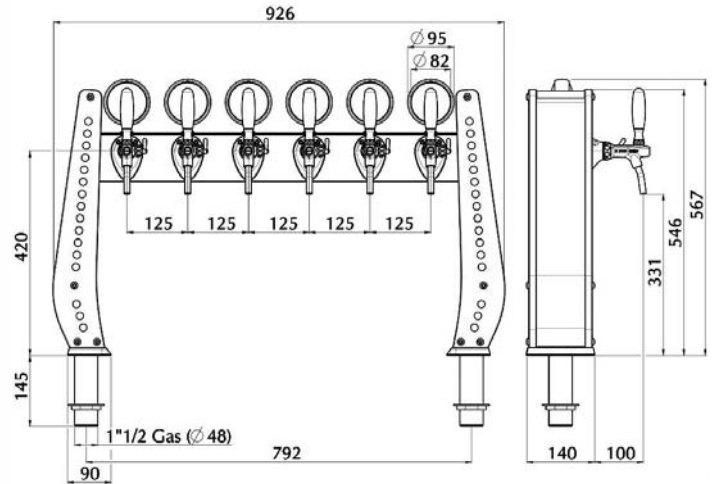
PART	SIZE	FINISH	RINSER
01836	400mmx400mmx40mm	Polished S.S.	YES
01821	15" x 5" x 3/4"	Polished S.S.	NO
01824	15" x 5" x 1 1/8"	Brushed S.S.	NO
01834	400mmx180mmx30mm	Polished S.S.	YES
02042	15" x 5" x 1 1/8"	Brushed S.S.	YES

For drip trays see pages 24-27

SUGGESTED DRIP TRAYS FOR 6 TAPS

PART	SIZE	FINISH	RINSER
01839	1000mmx500mmx40mm	Polished S.S.	YES
01821	15" x 5" x 3/4" (x2)	Polished S.S.	NO
02392	25" x 5" x 1 1/8"	Brushed S.S.	NO
02393	25" x 5" x 1 1/8"	Brushed S.S.	YES

For drip trays see pages 24-27

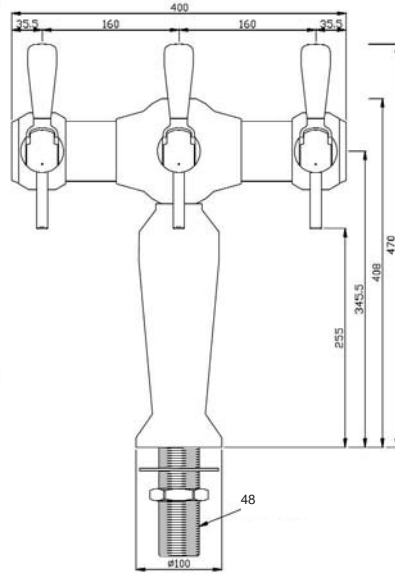


*Special order item.

Tecna towers include illuminated medallion holders and standard N.A. European faucets.



02389



TWO & THREE TAP OPTIONS

PART	TAPS	STYLE	FINISH	COLD KIT
*02398	2	Brussels	Chrome Plated	Copper
*02389	3	Brussels	Chrome Plated	Copper

FOUR & FIVE TAP OPTIONS

PART	TAPS	STYLE	FINISH	COLD KIT
*02399	4	Brussels	Chrome Plated	Copper
*02400	5	Brussels	Chrome Plated	Copper

DRIP TRAY OPTIONS

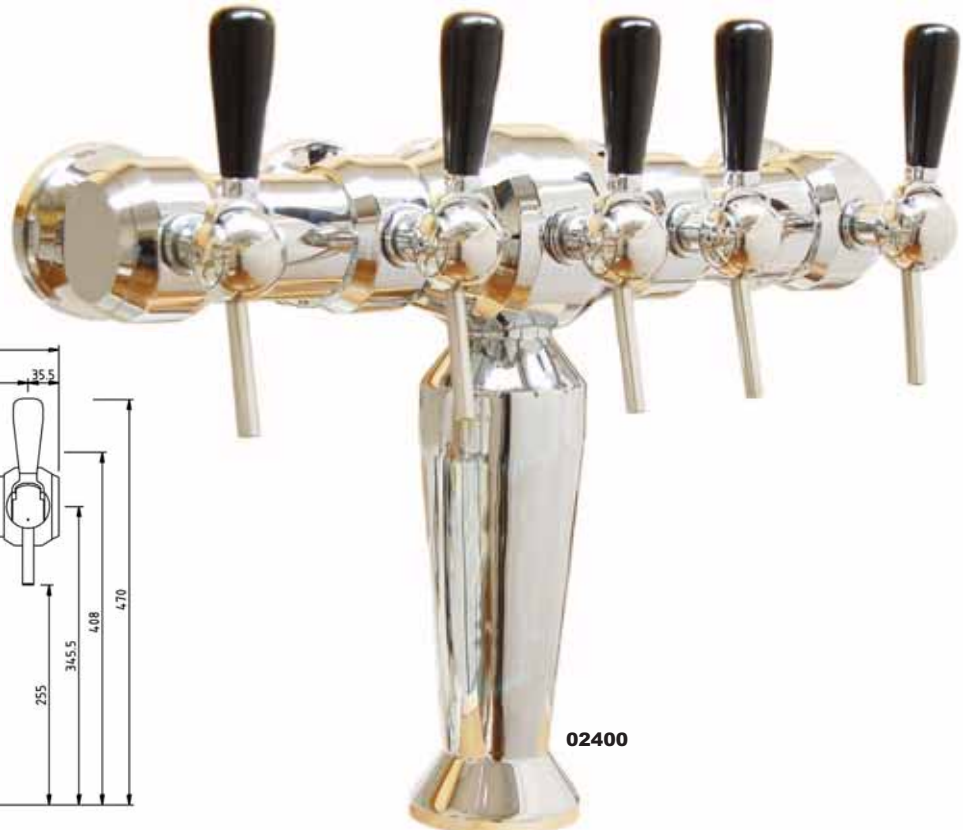
SUGGESTED DRIP TRAYS FOR 2 OR 3 TAPS

PART	SIZE	FINISH	RINSER
01837	600mmx400mmx40mm	Polished S.S.	YES
01834	400mmx180mmx20mm	Polished S.S.	YES
01821	15" x 5" x 3/4"	Polished S.S.	NO
01824	15" x 5" x 1 1/8"	Brushed S.S.	NO
02042	15" x 5" x 1 1/8"	Brushed S.S.	YES

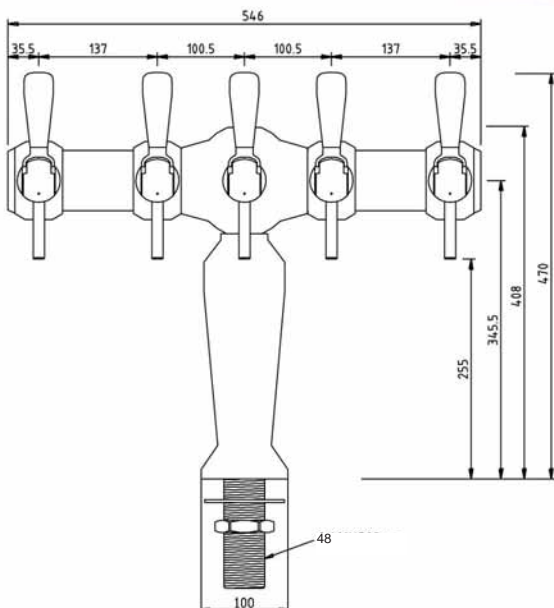
SUGGESTED DRIP TRAYS FOR 4 OR 5 TAPS

PART	SIZE	FINISH	RINSER
01838	800mmx400mmx40mm	Polished S.S.	YES
01835	600mmx220mmx30mm	Polished S.S.	YES
01823	24" x 5" x 3/4"	Polished S.S.	NO
02392	25" x 5" x 1 1/8"	Brushed S.S.	NO
02393	25" x 5" x 1 1/8"	Brushed S.S.	YES

For drip trays see pages 24-27



02400



*Special order item.

All Brussels towers come with Debitap faucets. Illuminated front medallions and stain finishes are available as special order items for all Brussels towers.



IMPERO 01597

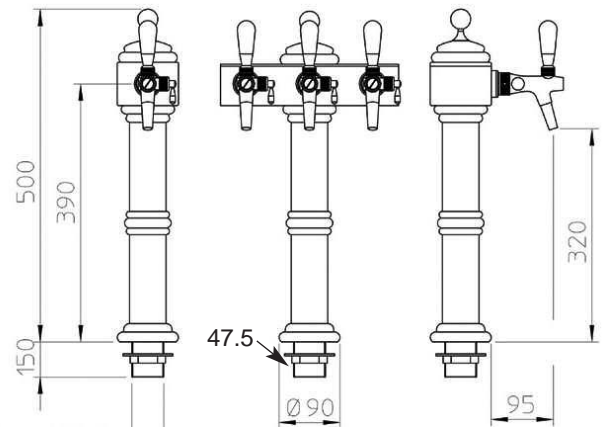
THREE & FOUR TAP OPTIONS

PART	TAPS	STYLE	FINISH	COLD KIT
01597	3	Impero	Chrome Plated	Copper
*01720	3	Impero	Gold Plated	Copper
01598	4	Impero	Chrome Plated	Copper
*01721	4	Impero	Gold Plated	Copper

DRIP TRAY OPTIONS

PART	SIZE	FINISH	RINSER
01821	15" x 5" x 3/4"	Polished S.S.	NO
01824	15" x 5" x 1 1/8"	Brushed S.S.	NO
01836	400mmx400mmx40mm	Polished S.S.	YES
02042	15" x 5" x 1 1/8"	Brushed S.S.	YES
01834	400mmx180mmx30mm	Polished S.S.	YES
01848	15" x 5" x 3/4"	Polished Brass	NO
01865	400mmx400mmx40mm	Brass Plated	YES

For drip trays see pages 24-27



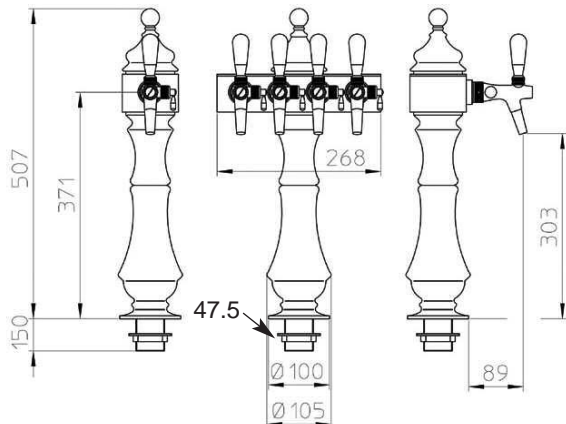
THREE & FOUR TAP OPTIONS

PART	TAPS	STYLE	FINISH	COLD KIT
01595	3	Style	Chrome Plated	Copper
*01718	3	Style	Gold Plated	Copper
01596	4	Style	Chrome Plated	Copper
*01719	4	Style	Gold Plated	Copper

DRIP TRAY OPTIONS

PART	SIZE	FINISH	RINSER
01821	15" x 5" x 3/4"	Polished S.S.	NO
01824	15" x 5" x 1 1/8"	Brushed S.S.	NO
01836	400mmx400mmx40mm	Polished S.S.	YES
02042	15" x 5" x 1 1/8"	Brushed S.S.	YES
01834	400mmx180mmx30mm	Polished S.S.	YES
01848	15" x 5" x 3/4"	Polished Brass	NO
01865	400mmx400mmx40mm	Brass Plated	YES

For drip trays see pages 24-27



STYLE 01596

*Note: All Impero & Style gold plated towers are special order items.
All three tap Impero "T" and Style "T" towers are available with special order non-illuminated front medallion holders.

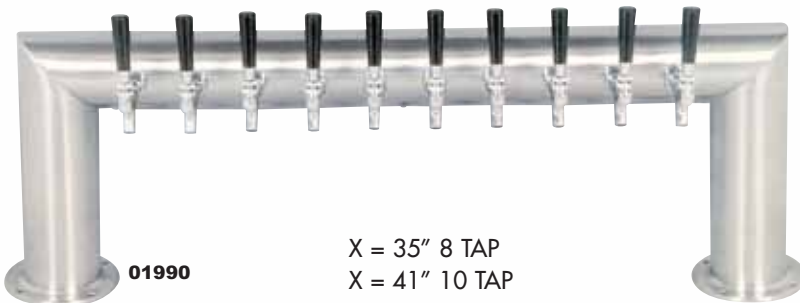
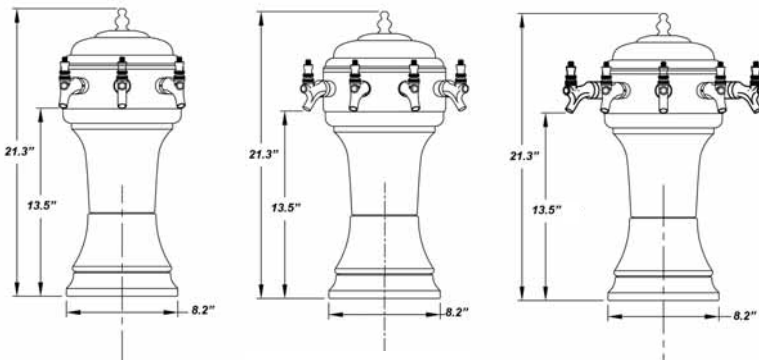
ZEUS & TRADITIONAL "U" TUBE



01741

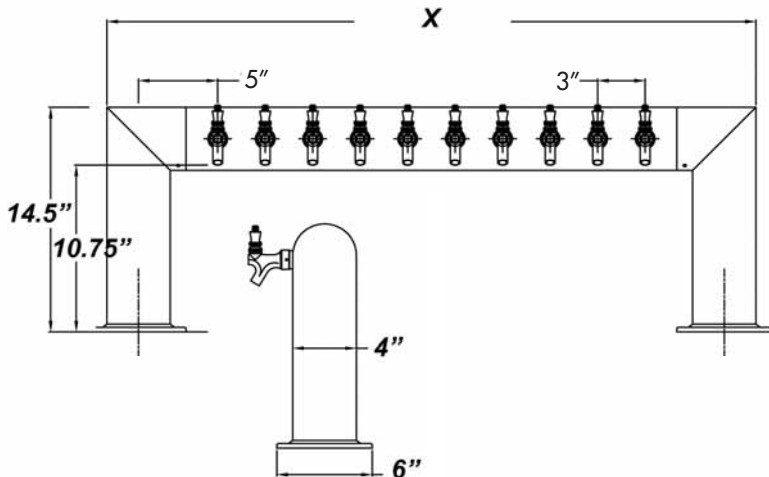
01620

01743



01990

X = 35" 8 TAP
X = 41" 10 TAP



ZEUS THREE TAP OPTIONS

PART	TAPS	STYLE	FINISH	COLD KIT
*01619	3	Taper	Polished S.S.	Copper
*01741	3	Taper	Gold Plated	Copper

DRIP TRAY OPTIONS

PART	SIZE	FINISH	RINSER
01821	15" x 5" x 3/4"	Polished S.S.	NO
01824	15" x 5" x 1 1/8"	Brushed S.S.	NO
02042	15" x 5" x 1 1/8"	Brushed S.S.	YES
01834	400mmx180mmx30mm	Polished S.S.	YES
*02231	19 3/4" x 10" x 3/4" w/838"	Polished S.S.	NO
01848	15" x 5" x 3/4"	Polished Brass	NO
*02232	19 3/4" x 10" x 3/4" w/838"	PVD	NO

For drip trays see pages 24-27

ZEUS FOUR & FIVE TAP OPTIONS

PART	TAPS	STYLE	FINISH	COLD KIT
*01620	4	Taper	Polished S.S.	Copper
*01742	4	Taper	Gold Plated	Copper
*01621	5	Taper	Polished S.S.	Copper
*01743	5	Taper	Gold Plated	Copper

DRIP TRAY OPTIONS

PART	SIZE	FINISH	RINSER
SUGGESTED DRIP TRAYS FOR 4 & 5 TAPS			
*02231	19 3/4" x 10" x 3/4" w/838"	Polished S.S.	NO
*02232	19 3/4" x 10" x 3/4" w/838"	PVD	NO

For drip trays see pages 24-27

"U" TUBE EIGHT TAP OPTIONS

PART	TAPS	STYLE	FINISH	COLD KIT
02319	8	35" "U"	Brushed S.S.	Copper
02320	8	35" "U"	Polished Brass	Copper

DRIP TRAY OPTIONS

PART	SIZE	FINISH	RINSER
01823	24" x 5" x 3/4"	Polished S.S.	NO
01839	1000mmx500mmx40mm	Polished S.S.	YES
02392	25" x 5" x 1 1/8"	Brushed S.S.	NO
02393	25" x 5" x 1 1/8"	Brushed S.S.	YES
01850	24" x 5" x 3/4"	Polished Brass	NO
*01868	1000mmx500mmx40mm	Brass Plated	YES

For drip trays see pages 24-27

"U" TUBE TEN TAP OPTIONS

PART	TAPS	STYLE	FINISH	COLD KIT
01990	10	41" "U"	Brushed S.S.	Copper
02321	10	41" "U"	Polished Brass	Copper

DRIP TRAY OPTIONS

PART	SIZE	FINISH	RINSER
01821	15" x 5" x 3/4" (x2)	Polished S.S.	NO
01840	1200mmx500mmx40mm	Polished S.S.	YES
02042	15" x 5" x 1 1/8" (x2)	Brushed S.S.	YES
01824	15" x 5" x 1 1/8" (x2)	Brushed S.S.	NO
01848	15" x 5" x 3/4" (x2)	Polished Brass	NO

For drip trays see pages 24-27

*All identified Zeus & "U" Tube traditional towers and some drip trays are special order items.

Note: All Zeus towers listed are available with either white, green or black ceramic columns. All traditional "U" Tube towers are available with non-illuminated front mounted medallion holders.

BRAUHAUS "L"

THREE TAP OPTIONS

PART	TAPS	STYLE	FINISH	COLD KIT
01676	3	"L"	Polished S.S.	Copper
*01797	3	"L"	Gold Plated	Copper

DRIP TRAY OPTIONS

PART	SIZE	FINISH	RINSER
01838	800mmx400mmx40mm	Polished S.S.	YES
01821	15" x 5" x 3/4"	Polished S.S.	NO
01834	400mmx180mmx30mm	Polished S.S.	YES
01848	15" x 5" x 3/4"	Polished Brass	NO
*01867	800mmx400mmx40mm	Brass Plated	YES

For drip trays see pages 24-27

FOUR TAP OPTIONS

PART	TAPS	STYLE	FINISH	COLD KIT
01677	4	"L"	Polished S.S.	Copper
*01798	4	"L"	Gold Plated	Copper

DRIP TRAY OPTIONS

PART	SIZE	FINISH	RINSER
01822	20" x 5" x 3/4"	Polished S.S.	NO
01835	600mmx220mmx30mm	Polished S.S.	YES
02392	25" x 5" x 1 1/8"	Brushed S.S.	NO
02393	25" x 5" x 1 1/8"	Brushed S.S.	YES
01849	20" x 5" x 3/4"	Polished Brass	NO

For drip trays see pages 24-27

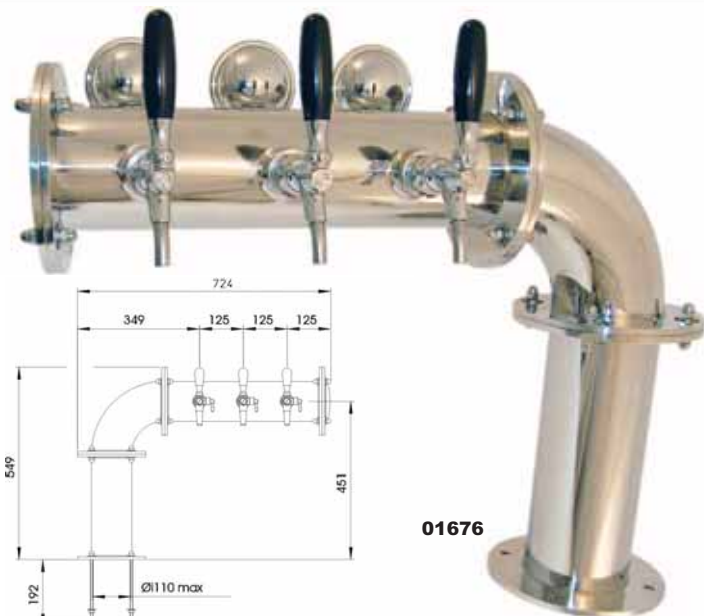
FIVE TAP OPTIONS

PART	TAPS	STYLE	FINISH	COLD KIT
01678	5	"L"	Polished S.S.	Copper
*01799	5	"L"	Gold Plated	Copper

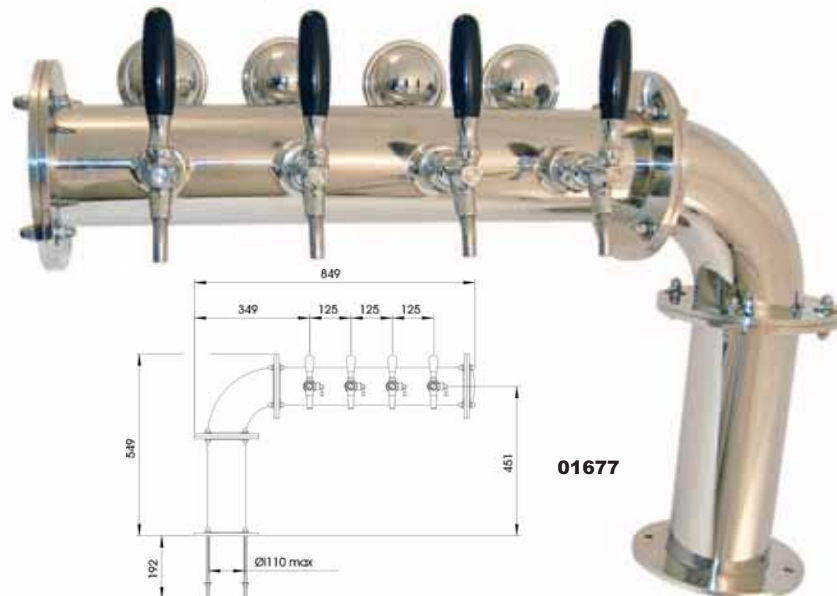
DRIP TRAY OPTIONS

PART	SIZE	FINISH	RINSER
01823	24" x 5" x 3/4"	Polished S.S.	NO
01835	600mmx220mmx30mm	Polished S.S.	YES
02392	25" x 5" x 1 1/8"	Brushed S.S.	NO
02393	25" x 5" x 1 1/8"	Brushed S.S.	YES
01850	24" x 5" x 3/4"	Polished Brass	NO

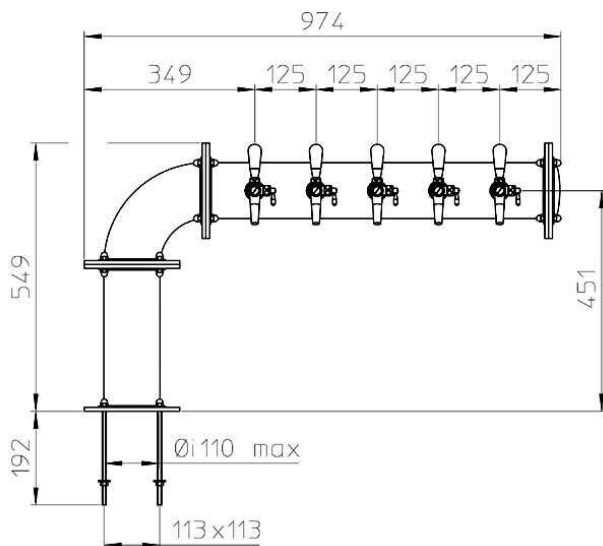
For drip trays see pages 24-27



01676



01677



01678

*All Brauhaus "L" Gold plated towers are special order items.
All Brauhaus towers listed are available with special order flow control faucets and all Brauhaus "L" towers are equipped with non-illuminated top front medallion holders.

"U" SIX TAP OPTIONS

PART	TAPS	STYLE	FINISH	COLD KIT
01682	6	"U"	Polished S.S.	Copper
*01802	6	"U"	Gold Plated	Copper

DRIP TRAY OPTIONS

PART	SIZE	FINISH	RINSER
01839	1000mmx500mmx40mm	Polished S.S.	YES
01821	15" x 5" x 3/4"(x2)	Polished S.S.	NO
01834	400mmx180mmx30mm(x2)	Polished S.S.	YES
02042	15" x 5" x 1 1/8"(x2)	Brushed S.S.	YES
01848	15" x 5" x 3/4"(x2)	Polished Brass	NO
*01868	1000mmx500mmx40mm	Brass Plated	YES

For drip trays see pages 24-27

"U" EIGHT TAP OPTIONS

PART	TAPS	STYLE	FINISH	COLD KIT
01683	8	"U"	Polished S.S.	Copper
*01803	8	"U"	Gold Plated	Copper

DRIP TRAY OPTIONS

PART	SIZE	FINISH	RINSER
01835	600mmx220mmx30mm(x2)	Polished S.S.	YES
01822	20" x 5" x 3/4"(x2)	Polished S.S.	NO
02390	20" x 5" x 1 1/8"(x2)	Brushed S.S.	NO
02391	20" x 5" x 1 1/8"(x2)	Brushed S.S.	YES
01849	20" x 5" x 3/4"(x2)	Polished Brass	NO

For drip trays see pages 24-27

"Y" EIGHT TAP OPTIONS

PART	TAPS	STYLE	FINISH	COLD KIT
01684	8	"Y"	Polished S.S.	Copper
*01804	8	"Y"	Gold Plated	Copper

DRIP TRAY OPTIONS

PART	SIZE	FINISH	RINSER
01835	600mmx220mmx30mm(x2)	Polished S.S.	YES
01822	20" x 5" x 3/4"(x2)	Polished S.S.	NO
02390	20" x 5" x 1 1/8"(x2)	Brushed S.S.	NO
02391	20" x 5" x 1 1/8"(x2)	Brushed S.S.	YES
01849	20" x 5" x 3/4"(x2)	Polished Brass	NO

For drip trays see pages 24-27

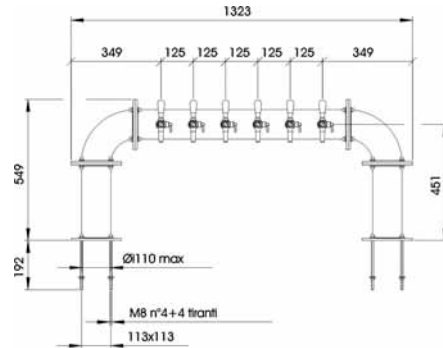
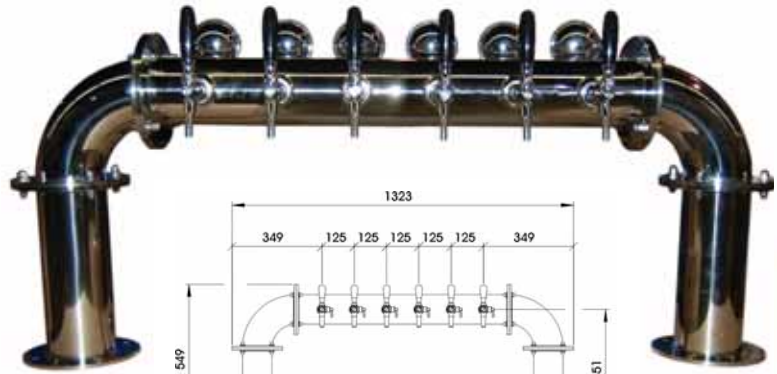
"Y" SIXTEEN TAP OPTIONS

PART	TAPS	STYLE	FINISH	COLD KIT
*02235	16	"Y"	Polished S.S.	Copper
*02236	16	"Y"	Gold Plated	Copper

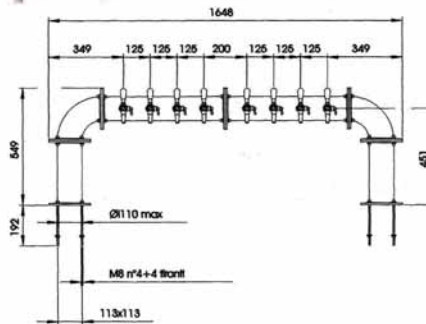
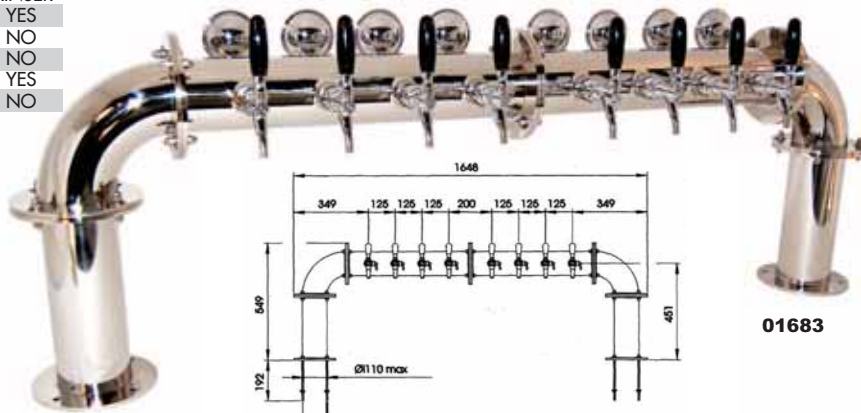
DRIP TRAY OPTIONS

PART	SIZE	FINISH	RINSER
01835	600mmx220mmx30mm(x4)	Polished S.S.	YES
01822	20" x 5" x 3/4"(x4)	Polished S.S.	NO
02390	20" x 5" x 1 1/8"(x4)	Brushed S.S.	NO
02391	20" x 5" x 1 1/8"(x4)	Brushed S.S.	YES
01849	20" x 5" x 3/4"(x4)	Polished Brass	NO

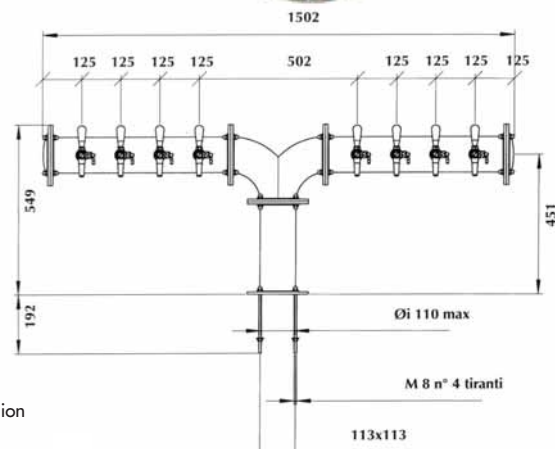
For drip trays see pages 24-27



01682



01683



01684

*All Brauhaus "U" & "Y" Gold plated towers are special order items.
Note: All Brauhaus "U" & "Y" towers are equipped with non-illuminated top front medallion holders. All Brauhaus towers listed are available with special order flow control faucets.

"T" BOX

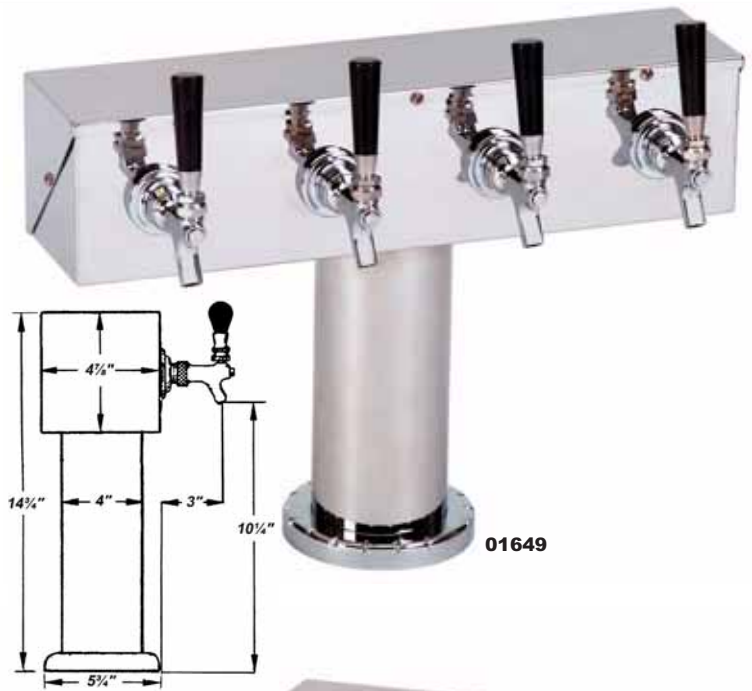
20" OPTIONS

PART	TAPS	STYLE	FINISH	COLD KIT
*01649	4	"T" Box	Chrome Plated	Copper
*01771	4	"T" Box	Polished Brass	Copper
*01650	5	"T" Box	Chrome Plated	Copper
*01772	5	"T" Box	Polished Brass	Copper
01651	6	"T" Box	Chrome Plated	Copper
*01773	6	"T" Box	Polished Brass	Copper
*01652	7	"T" Box	Chrome Plated	Copper
*01774	7	"T" Box	Polished Brass	Copper
01653	8	"T" Box	Chrome Plated	Copper
*01775	8	"T" Box	Polished Brass	Copper

DRIP TRAY OPTIONS

PART	SIZE	FINISH	RINSER
01837	600mmx400mmx40mm	Polished S.S.	YES
01822	20" x 5" x 3/4"	Polished S.S.	NO
01835	600mmx220mmx30mm	Polished S.S.	YES
02390	20" x 5" x 1 1/8"(x2)	Brushed S.S.	NO
02391	20" x 5" x 1 1/8"(x2)	Brushed S.S.	YES
01849	20" x 5" x 3/4"	Polished Brass	NO
01866	600mmx400mmx40mm	Brass Plated	YES

For drip trays see pages 24-27



01649

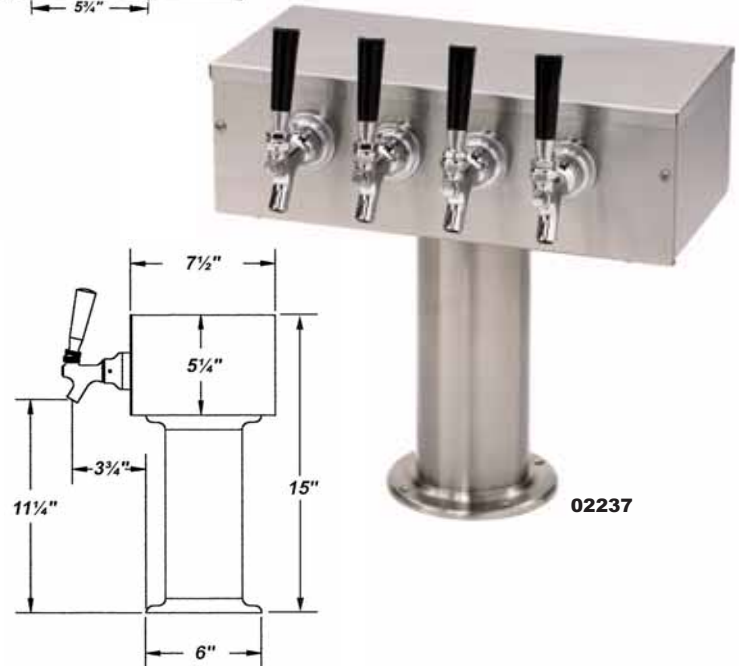
20" OPTIONS

PART	TAPS	STYLE	FINISH	COLD KIT
*02237	4	"T" Box	Satin Brushed	Copper
*02242	4	"T" Box	PVD Plated	Copper
*02238	5	"T" Box	Satin Brushed	Copper
*02243	5	"T" Box	PVD Plated	Copper
*02239	6	"T" Box	Satin Brushed	Copper
*02245	6	"T" Box	PVD Plated	Copper
*02241	8	"T" Box	Satin Brushed	Copper
*02246	8	"T" Box	PVD Plated	Copper

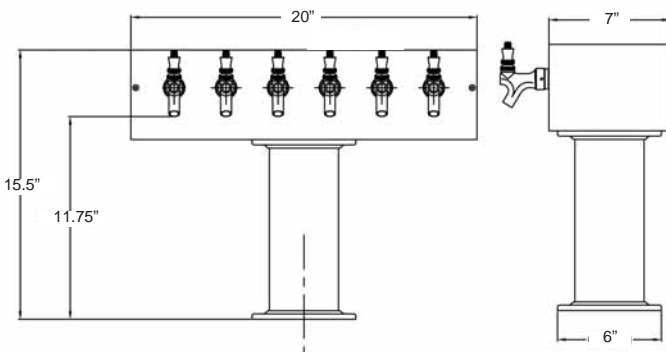
DRIP TRAY OPTIONS

PART	SIZE	FINISH	RINSER
01837	600mmx400mmx40mm	Polished S.S.	YES
01822	20" x 5" x 3/4"	Polished S.S.	NO
01835	600mmx220mmx30mm	Polished S.S.	YES
02390	20" x 5" x 1 1/8"(x2)	Brushed S.S.	NO
02391	20" x 5" x 1 1/8"(x2)	Brushed S.S.	YES
01866	600mmx400mmx40mm	Brass Plated	YES
01849	20" x 5" x 3/4"	Polished Brass	NO

For drip trays see pages 24-27



02237



02245

*Note: All identified "T" Box towers are special order items.
All "T" Box towers are available with special order non-illuminated front medallion holders.

30" OPTIONS

PART	TAPS	STYLE	FINISH	COLD KIT
*01657	8	"U" Box	Chrome Plated	Copper
*01779	8	"U" Box	Polished Brass	Copper
*01654	10	"U" Box	Chrome Plated	Copper
*01776	10	"U" Box	Polished Brass	Copper
*01655	12	"U" Box	Chrome Plated	Copper
*01777	12	"U" Box	Polished Brass	Copper

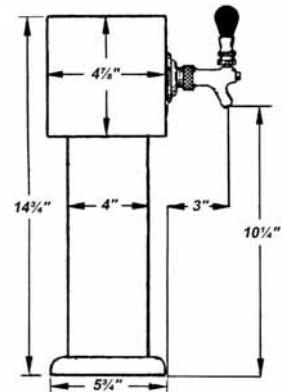
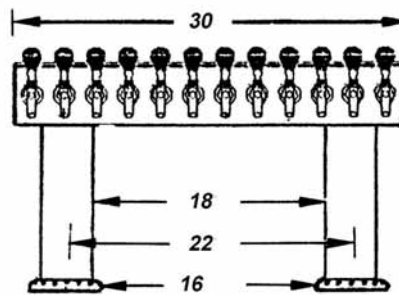
DRIP TRAY OPTIONS

PART	SIZE	FINISH	RINSER
01838	800mmx400mmx40mm	Polished S.S.	YES
01834	400mmx180mmx30(x2)	Polished S.S.	YES
01821	15" x 5" x 3/4"(x2)	Polished S.S.	NO
01848	15" x 5" x 3/4"(x2)	Polished Brass	NO

For drip trays see pages 24-27



01657



30" OPTIONS

PART	TAPS	STYLE	FINISH	COLD KIT
*02255	8	"U" Box	Satin Brushed	Copper
*02260	8	"U" Box	PVD	Copper
*02256	10	"U" Box	Satin Brushed	Copper
*02261	10	"U" Box	PVD	Copper
*02257	12	"U" Box	Satin Brushed	Copper
*02262	12	"U" Box	PVD	Copper

DRIP TRAY OPTIONS

PART	SIZE	FINISH	RINSER
01838	800mmx400mmx40mm	Polished S.S.	YES
01834	400mmx180mmx30(x2)	Polished S.S.	YES
01821	15" x 5" x 3/4"(x2)	Polished S.S.	NO
01848	15" x 5" x 3/4"(x2)	Polished Brass	NO

For drip trays see pages 24-27



02261

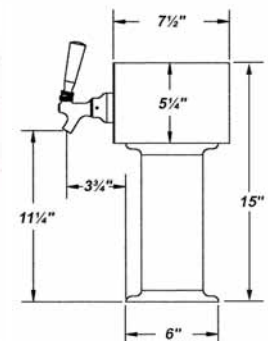
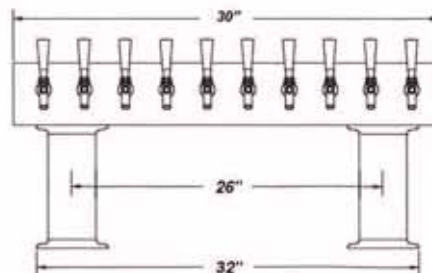
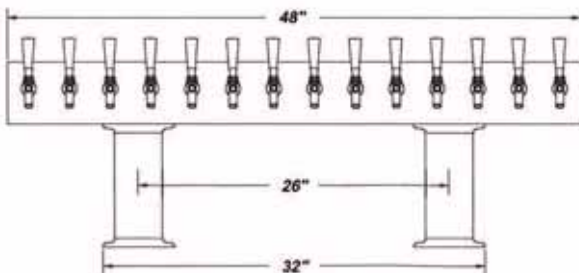
48" OPTIONS

PART	TAPS	STYLE	FINISH	COLD KIT
*02258	14	"U" Box	Satin Brushed	Copper
*02263	14	"U" Box	Polished Brass	Copper
*02259	16	"U" Box	Satin Brushed	Copper
*02264	16	"U" Box	Polished Brass	Copper

DRIP TRAY OPTIONS

PART	SIZE	FINISH	RINSER
01840	1200mmx500mmx40mm	Polished S.S.	YES
01835	600mmx220mmx30(x2)	Polished S.S.	YES
01823	24" x 5" x 3/4"(x2)	Polished S.S.	NO
01850	24" x 5" x 3/4"(x2)	Polished Brass	NO

For drip trays see pages 24-27



*Note: All identified "U" Box towers are special order items.
All "U" Box towers are available with special order non-illuminated front medallion holders.

"T" & "U" TUBE

14" - 26" TAP OPTIONS

PART	TAPS	STYLE	FINISH	COLD KIT
*01658	4	14" "T" Tube	Chrome Plated	Copper
*01780	4	14" "T" Tube	Polished Brass	Copper
*01659	6	20" "T" Tube	Chrome Plated	Copper
*01781	6	20" "T" Tube	Polished Brass	Copper
*01660	8	26" "T" Tube	Chrome Plated	Copper
*02265	8	26" "T" Tube	Polished Brass	Copper

DRIP TRAY OPTIONS

SUGGESTED DRIP TRAYS FOR 4 TAPS

PART	SIZE	FINISH	RINSER
01836	400mmx400mmx40mm	Polished S.S.	YES
01821	15" x 5" x 3/4"	Polished S.S.	NO
01824	15" x 5" x 1 1/8"	Brushed S.S.	NO
02042	15" x 5" x 1 1/8"	Brushed S.S.	YES
01834	400mmx180mmx30mm	Polished S.S.	YES
01865	400mmx400mmx40mm	Brass Plated	YES
01848	15" x 5" x 3/4"	Polished Brass	NO

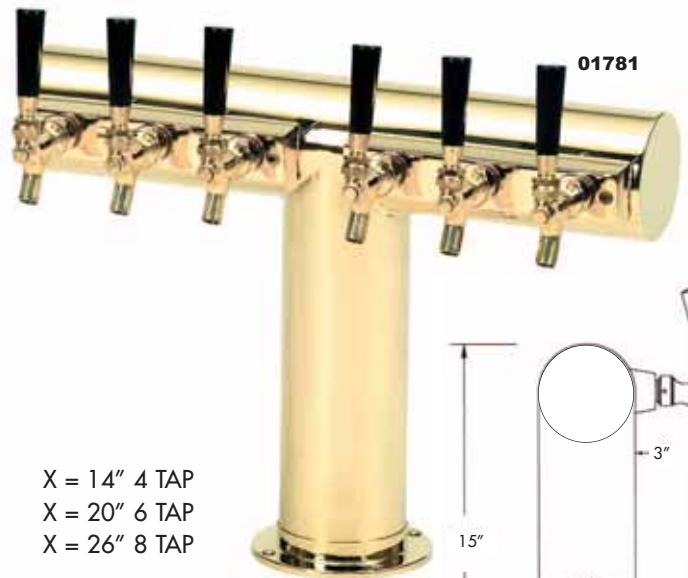
SUGGESTED DRIP TRAYS FOR 6 TAPS

PART	SIZE	FINISH	RINSER
01837	600mmx400mmx40mm	Polished S.S.	YES
01822	20" x 5" x 3/4"	Polished S.S.	NO
01835	600mmx220mmx30mm	Polished S.S.	YES
01866	600mmx400mmx40mm	Brass Plated	YES
01849	20" x 5" x 3/4"	Polished Brass	NO

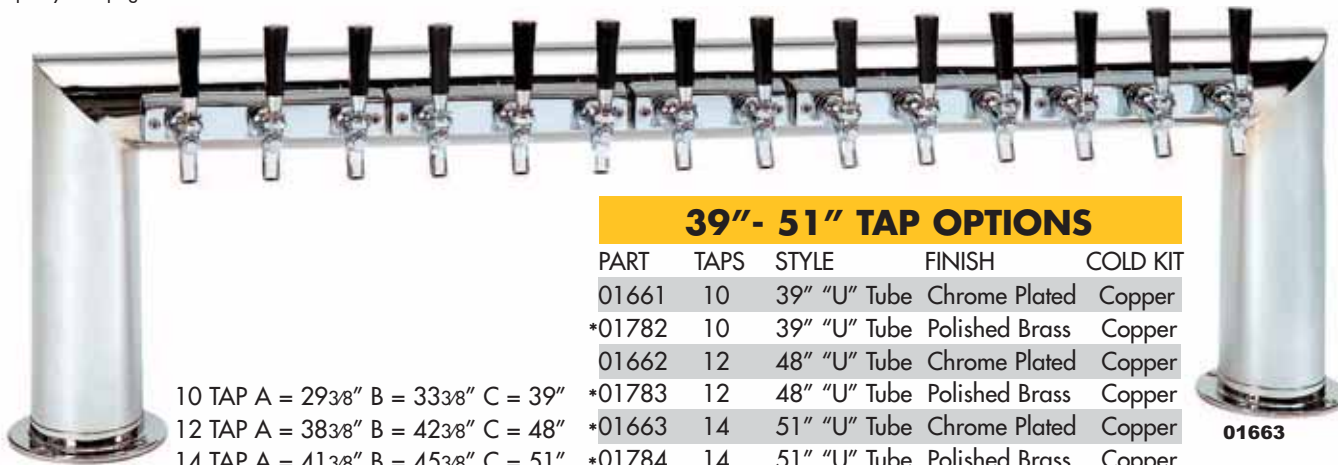
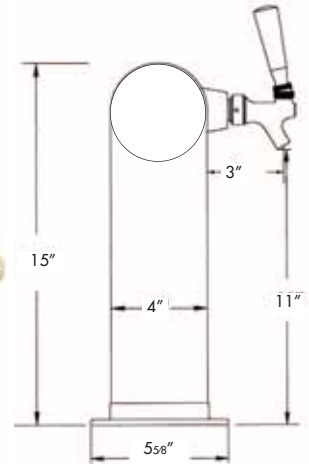
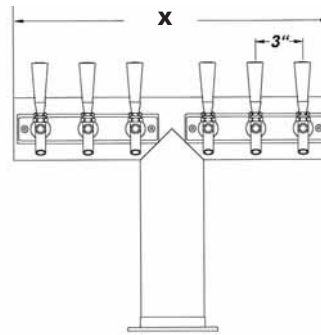
SUGGESTED DRIP TRAYS FOR 8 TAPS

PART	SIZE	FINISH	RINSER
01838	800mmx400mmx40mm	Polished S.S.	YES
01834	400mmx180mmx30mm(x2)	Polished S.S.	YES
02392	25" x 5" x 1 1/8"	Brushed S.S.	NO
02393	25" x 5" x 1 1/8"	Brushed S.S.	YES
01867	800mmx400mmx40mm	Brass Plated	YES

For drip trays see pages 24-27



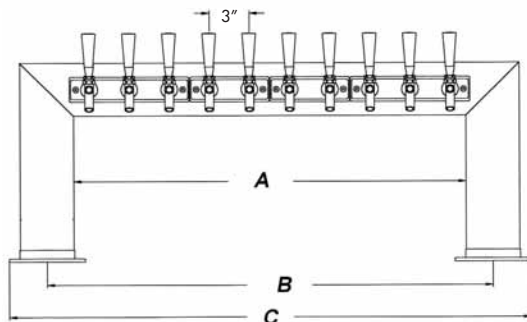
X = 14" 4 TAP
X = 20" 6 TAP
X = 26" 8 TAP



39" - 51" TAP OPTIONS

PART	TAPS	STYLE	FINISH	COLD KIT
01661	10	39" "U" Tube	Chrome Plated	Copper
*01782	10	39" "U" Tube	Polished Brass	Copper
01662	12	48" "U" Tube	Chrome Plated	Copper
*01783	12	48" "U" Tube	Polished Brass	Copper
*01663	14	51" "U" Tube	Chrome Plated	Copper
*01784	14	51" "U" Tube	Polished Brass	Copper

10 TAP A = 29 3/8" B = 33 3/8" C = 39"
12 TAP A = 38 3/8" B = 42 3/8" C = 48"
14 TAP A = 41 3/8" B = 45 3/8" C = 51"



DRIP TRAY OPTIONS

SUGGESTED DRIP TRAYS FOR 10 TAPS

PART	SIZE	FINISH	RINSER
01840	1200mmx500mmx40mm	Polished S.S.	YES
01822	20" x 5" x 3/4" (x2)	Polished S.S.	NO
02390	20" x 5" x 1 1/8" (x2)	Brushed S.S.	NO
02391	20" x 5" x 1 1/8" (x2)	Brushed S.S.	YES
01849	20" x 5" x 3/4" (x2)	Polished Brass	NO

SUGGESTED DRIP TRAYS FOR 12 & 14 TAPS

PART	SIZE	FINISH	RINSER
01823	24" x 5" x 3/4" (x2)	Polished S.S.	NO
01835	600mmx220mmx30mm(x2)	Polished S.S.	YES
02392	25" x 5" x 1 1/8" (x2)	Brushed S.S.	NO
02393	25" x 5" x 1 1/8" (x2)	Brushed S.S.	YES
01850	24" x 5" x 3/4" (x2)	Polished Brass	NO

For drip trays see pages 24-27

*Special order item.

"M" & "H" TUBE

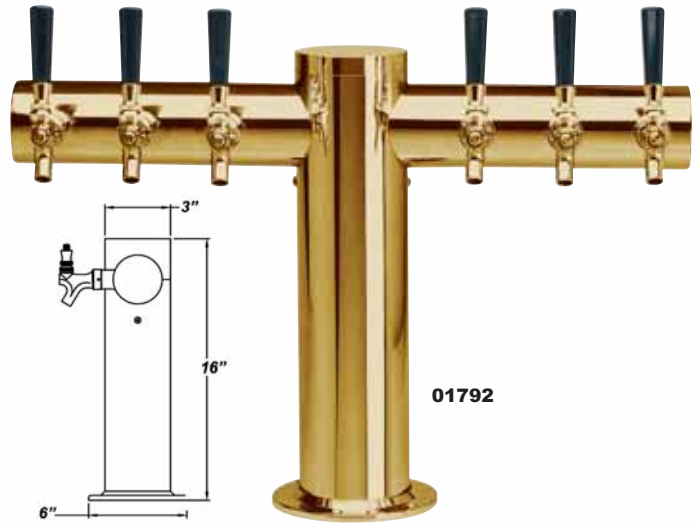
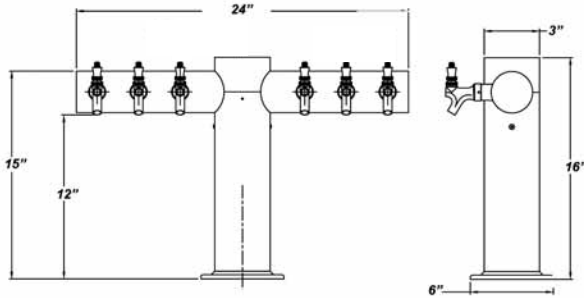
24" TAP OPTIONS

PART	TAPS	STYLE	FINISH	COLD KIT
*01670	4	24" "M" Tube	Polished S.S.	Copper
*01791	4	24" "M" Tube	PVD	Copper
*01671	6	24" "M" Tube	Polished S.S.	Copper
*01792	6	24" "M" Tube	PVD	Copper
01672	8	24" "M" Tube	Polished S.S.	Copper
*01793	8	24" "M" Tube	PVD	Copper

DRIP TRAY OPTIONS

PART	SIZE	FINISH	RINSER
01837	600mmx400mmx40mm	Polished S.S.	YES
01835	600mmx220mmx30mm	Polished S.S.	YES
01823	24" x 5" x 3/4"	Polished S.S.	NO
02392	25" x 5" x 1 1/8"	Brushed S.S.	NO
02393	25" x 5" x 1 1/8"	Brushed S.S.	YES
01866	600mmx400mmx40mm	Brass Plated	YES
01850	24" x 5" x 3/4"	Polished Brass	NO

For drip trays see pages 24-27



32" - 44" TAP OPTIONS

PART	TAPS	STYLE	FINISH	COLD KIT
*01675	8	32" "H" Tube	Polished S.S.	Copper
*01794	8	32" "H" Tube	PVD	Copper
01673	10	38" "H" Tube	Polished S.S.	Copper
*01795	10	38" "H" Tube	PVD	Copper
01674	12	44" "H" Tube	Polished S.S.	Copper
*01796	12	44" "H" Tube	PVD	Copper

DRIP TRAY OPTIONS

SUGGESTED DRIP TRAYS FOR 8 TAPS

PART	SIZE	FINISH	RINSER
01839	1000mmx500mmx40mm	Polished S.S.	YES
01823	24" x 5" x 3/4"	Polished S.S.	NO
01835	600mmx220mmx30mm	Polished S.S.	YES
02392	25" x 5" x 1 1/8"	Brushed S.S.	NO
02393	25" x 5" x 1 1/8"	Brushed S.S.	YES
01850	24" x 5" x 3/4"	Polished Brass	NO

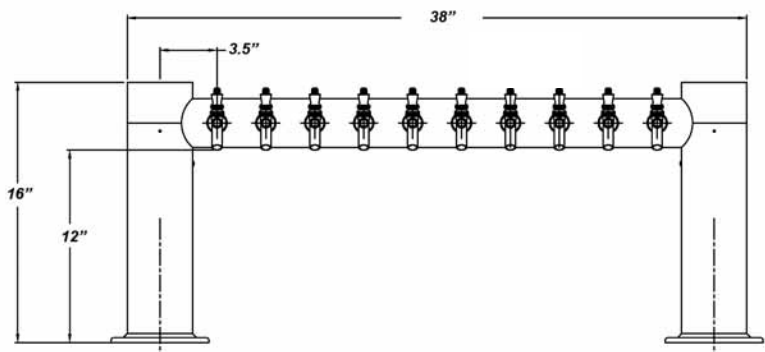
SUGGESTED DRIP TRAYS FOR 10 TAPS

PART	SIZE	FINISH	RINSER
01840	1200mmx500mmx40mm	Polished S.S.	YES
01821	15" x 5" x 3/4" (x2)	Polished S.S.	NO
02042	15" x 5" x 1 1/8" (x2)	Brushed S.S.	YES
01834	400mmx180mmx30mm(x2)	Polished S.S.	YES
01824	15" x 5" x 1 1/8" (x2)	Brushed S.S.	NO
01848	15" x 5" x 3/4" (x2)	Polished Brass	NO

SUGGESTED DRIP TRAYS FOR 12 TAPS

PART	SIZE	FINISH	RINSER
01840	1200mmx500mmx40mm	Polished S.S.	YES
01835	600mmx220mmx30mm(x2)	Polished S.S.	YES
01822	20" x 5" x 3/4" (x2)	Polished S.S.	NO
02390	20" x 5" x 1 1/8" (x2)	Brushed S.S.	NO
02391	20" x 5" x 1 1/8" (x2)	Brushed S.S.	YES
01849	20" x 5" x 3/4" (x2)	Polished Brass	NO

For drip trays see pages 24-27



*Identified "M" & "H" Tube towers are special order items.

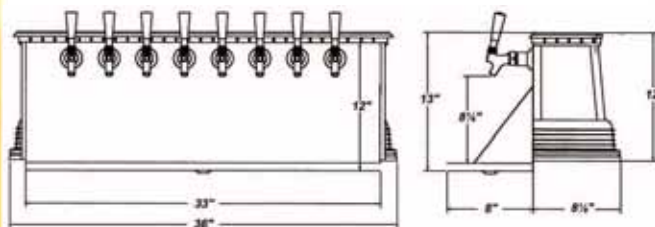
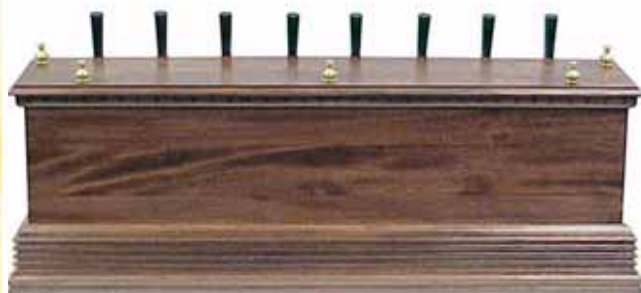
TOWERS

CLASSIC IRISH COFFIN BOX & JUNIOR GOLIATH

TOWERS



02280



01807



01807

IRISH COFFIN 6 - 12 TAP OPTIONS

PART	TAPS	BACKSPLASH	ACORN	WOOD	C. KIT	TRAY
*01689	6	Polished S.S.	Chrome Plated	Stained	Copper	Incl.
*02278	6	Polished S.S.	Polished Brass	Stained	Copper	Incl.
*01690	7	Polished S.S.	Chrome Plated	Stained	Copper	Incl.
*02279	7	Polished S.S.	Polished Brass	Stained	Copper	Incl.
*01691	8	Polished S.S.	Chrome Plated	Stained	Copper	Incl.
*02280	8	Polished S.S.	Polished Brass	Stained	Copper	Incl.
*01692	9	Polished S.S.	Chrome Plated	Stained	Copper	Incl.
*02281	9	Polished S.S.	Polished Brass	Stained	Copper	Incl.
*01693	10	Polished S.S.	Chrome Plated	Stained	Copper	Incl.
*01685	10	Polished S.S.	Polished Brass	Stained	Copper	Incl.
*01686	11	Polished S.S.	Chrome Plated	Stained	Copper	Incl.
*02282	11	Polished S.S.	Polished Brass	Stained	Copper	Incl.
*01687	12	Polished S.S.	Chrome Plated	Stained	Copper	Incl.
*02283	12	Polished S.S.	Polished Brass	Stained	Copper	Incl.

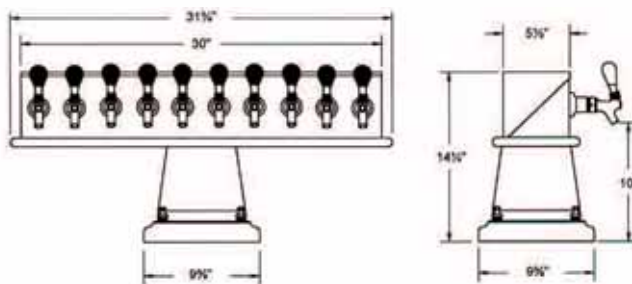
JUNIOR GOLIATH 5 - 12 TAP OPTIONS

PART	TAPS	STYLE	FINISH	COLD KIT
*01697	6	"T" 31 3/4"	Chrome Plated	Copper
*01809	6	"T" 31 3/4"	Polished Brass	Copper
*01699	8	"T" 31 3/4"	Chrome Plated	Copper
*01811	8	"T" 31 3/4"	Polished Brass	Copper
*02276	10	"T" 31 3/4"	Chrome Plated	Copper
*01805	10	"T" 31 3/4"	Polished Brass	Copper
*01695	12	"T" 31 3/4"	Chrome Plated	Copper
*01807	12	"T" 31 3/4"	Polished Brass	Copper

DRIP TRAY OPTIONS

PART	SIZE	FINISH	RINSER
01821	15" x 5" x 3/4" (x2)	Polished S.S.	NO
02042	15" x 5" x 1 1/8" (x2)	Brushed S.S.	YES
01824	15" x 5" x 1 1/8" (x2)	Brushed S.S.	NO
01834	400mm x 180mm x 30mm (x2)	Polished S.S.	YES
01848	15" x 5" x 3/4" (x2)	Polished Brass	NO

For drip trays see pages 24-27



*Identified Classic & Junior towers are special order items.
 Note: Custom painting and engraving finishes are available on all Classic Irish Coffin boxes. Custom staining, colours and special materials can be accommodated upon request on all Classic Irish Coffin & Junior Goliath towers.

GOLIATH 12 - 24 TAP OPTIONS

PART	TAPS	STYLE/SIZE	WOOD	METAL	COLD KIT
*01703	12	"U" 61 3/4"	Stained	Chrome Polished	Copper
*01815	12	"U" 61 3/4"	Stained	Polished Brass	Copper
*01705	14	"U" 61 3/4"	Stained	Chrome Polished	Copper
*01817	14	"U" 61 3/4"	Stained	Polished Brass	Copper
*02289	16	"U" 61 3/4"	Stained	Chrome Polished	Copper
*02294	16	"U" 61 3/4"	Stained	Polished Brass	Copper
*02290	18	"U" 61 3/4"	Stained	Chrome Polished	Copper
*02295	18	"U" 61 3/4"	Stained	Polished Brass	Copper
*02291	20	"U" 61 3/4"	Stained	Chrome Polished	Copper
*02296	20	"U" 61 3/4"	Stained	Polished Brass	Copper
*02292	22	"U" 61 3/4"	Stained	Chrome Polished	Copper
*02297	22	"U" 61 3/4"	Stained	Polished Brass	Copper
*02293	24	"U" 61 3/4"	Stained	Chrome Polished	Copper
*02298	24	"U" 61 3/4"	Stained	Polished Brass	Copper

DRIP TRAY OPTIONS

PART	SIZE	FINISH	RINSER
01834	400mmx180mmx30mm(x4)	Polished S.S.	YES
01821	15" x 5" x 3/4"(x4)	Polished S.S.	NO
01824	15" x 5" x 1 1/8"(x4)	Brushed S.S.	NO
02042	15" x 5" x 1 1/8"(x4)	Brushed S.S.	YES
01848	15" x 5" x 3/4"(x4)	Polished Brass	NO

For drip trays see pages 24-27

CERAMIC 2 - 6 TAP OPTIONS

PART	TAPS	STYLE	FINISH	COLD KIT
*02299	2	Traditional	Polished S.S.	Copper
*02303	2	Traditional	Gold Plated	Copper
*02300	3	Traditional	Polished S.S.	Copper
*02304	3	Traditional	Gold Plated	Copper
*02301	4	Tee	Polished S.S.	Copper
*02305	4	Tee	Gold Plated	Copper
*02302	6	Tee	Polished S.S.	Copper
*02306	6	Tee	Gold Plated	Copper
*02307	6	Mushroom	Polished S.S.	Copper
*02308	6	Mushroom	Gold Plated	Copper

DRIP TRAY OPTIONS

PART	SIZE	FINISH	RINSER
SUGGESTED DRIP TRAYS FOR 2 & 3 TAPS			
01821	15" x 5" x 3/4"	Polished S.S.	NO
02042	15" x 5" x 1 1/8"	Brushed S.S.	YES
01824	15" x 5" x 1 1/8"	Brushed S.S.	NO
01834	400mmx180mmx30mm	Polished S.S.	YES
01836	400mmx400mmx40mm	Polished S.S.	YES
01848	15" x 5" x 3/4"	Polished Brass	NO
01865	400mmx400mmx40mm	Polished Brass	YES

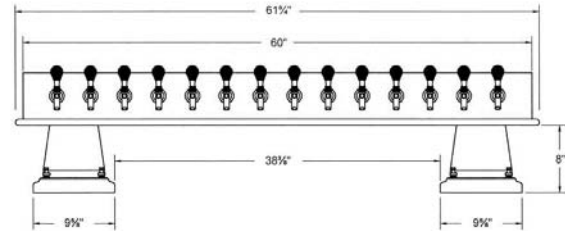
SUGGESTED DRIP TRAYS FOR 4 & 6 TAP TEE

*02309	800mmx500mmx40mm	Polished S.S.	YES
01821	15" x 5" x 3/4"(x2)	Polished S.S.	NO
02042	15" x 5" x 1 1/8"(x2)	Brushed S.S.	YES
01834	400mmx180mmx30mm(x2)	Polished S.S.	YES
01824	15" x 5" x 1 1/8"(x2)	Brushed S.S.	NO
*02310	800mmx500mmx40mm	Plated Brass	YES
01848	15" x 5" x 3/4"(x2)	Polished Brass	NO

SUGGESTED DRIP TRAYS FOR 6 MUSHROOM

*02311	400mmx220mmx28mm w/150mm	Polished S.S.	NO
*02312	400mmx220mmx28mm w/150mm	Polished S.S.	YES
*02315	600mmx250mmx28mm w/180mm	Polished S.S.	NO
*02316	600mmx250mmx28mm w/180mm	Polished S.S.	YES
*02313	400mmx220mmx28mm w/150mm	Gold Plated	NO
*02314	400mmx220mmx28mm w/150mm	Gold Plated	YES
*02317	600mmx250mmx28mm w/180mm	Gold Plated	NO
*02318	600mmx250mmx28mm w/180mm	Gold Plated	YES

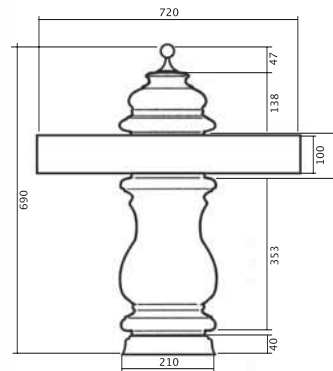
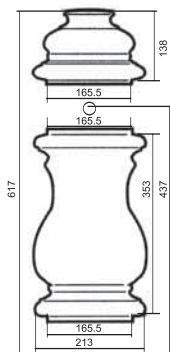
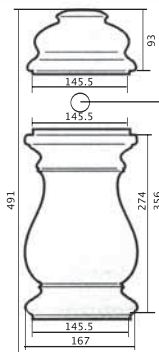
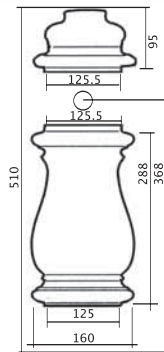
For drip trays see pages 24-27



02303

02300

02308



02302

*Special order item.

Custom staining, colours and special materials can be accommodated upon request on all Goliath & Ceramic towers.

SOCCER BALL

PART	TAPS	STYLE	FINISH	COLD KIT
*01643	2	Soccer Ball	Chrome Plated	Copper
*01765	2	Soccer Ball	Polished Brass	Copper
*01644	3	Soccer Ball	Chrome Plated	Copper
*01766	3	Soccer Ball	Polished Brass	Copper
*01645	4	Soccer Ball	Chrome Plated	Copper
*01767	4	Soccer Ball	Polished Brass	Copper

BASEBALL

PART	TAPS	STYLE	FINISH	COLD KIT
*01628	2	Baseball	Chrome Plated	Copper
*01750	2	Baseball	Polished Brass	Copper
*01629	3	Baseball	Chrome Plated	Copper
*01751	3	Baseball	Polished Brass	Copper
*01630	4	Baseball	Chrome Plated	Copper
*01752	4	Baseball	Polished Brass	Copper

BOWLING

PART	TAPS	STYLE	FINISH	COLD KIT
*01634	2	Bowling	Chrome Plated	Copper
*01756	2	Bowling	Polished Brass	Copper
*01635	3	Bowling	Chrome Plated	Copper
*01757	3	Bowling	Polished Brass	Copper
*01636	4	Bowling	Chrome Plated	Copper
*01758	4	Bowling	Polished Brass	Copper

FOOTBALL HELMET

PART	TAPS	STYLE	FINISH	COLD KIT
*02270	2	Helmet	Chrome Plated	Copper
*02273	2	Helmet	Polished Brass	Copper
*02271	3	Helmet	Chrome Plated	Copper
*02274	3	Helmet	Polished Brass	Copper
*02272	4	Helmet	Chrome Plated	Copper
*02275	4	Helmet	Polished Brass	Copper

DRIP TRAY OPTIONS

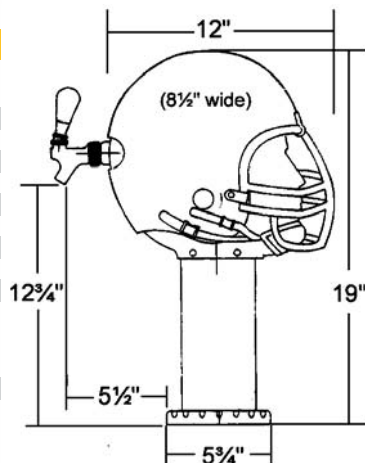
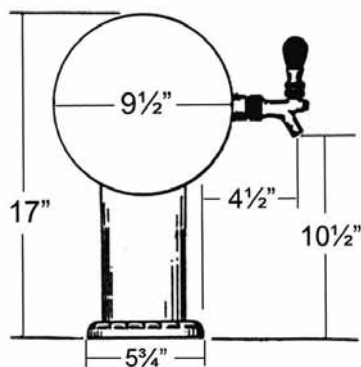
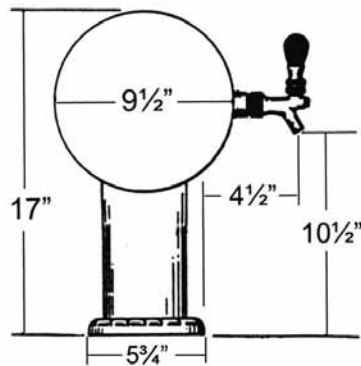
SUGGESTED DRIP TRAYS FOR 2 OR 3 TAPS

PART	SIZE	FINISH	RINSER
01821	15" x 5" x 3/4"	Polished S.S.	NO
02042	15" x 5" x 1 1/8"	Brushed S.S.	YES
01824	15" x 5" x 1 1/8"	Brushed S.S.	NO
01836	400mmx400mmx40mm	Polished S.S.	YES
01834	400mmx180mmx30mm	Polished S.S.	YES
01818	14" x 8" x 3/4" w/6 1/4"	Polished S.S.	NO
01846	14" x 8" x 3/4" w/6 1/4"	Polished Brass	NO
01848	15" x 5" x 3/4"	Polished Brass	NO
01860	400mmx400mmx40mm	Brass Plated	YES

SUGGESTED DRIP TRAYS FOR 4 TAPS

PART	SIZE	FINISH	RINSER
01818	14" x 8" x 3/4" w/6 1/4"	Polished S.S.	NO
01846	14" x 8" x 3/4" w/6 1/4"	Polished Brass	NO

For drip trays see pages 24-27



*All Sport Ball towers are special order items.

Note: All Sport Ball towers are available with special order black finish.

BASKETBALL

PART	TAPS	STYLE	FINISH	COLD KIT
*01631	2	Basketball	Chrome Plated	Copper
*01753	2	Basketball	Polished Brass	Copper
*01632	3	Basketball	Chrome Plated	Copper
*01754	3	Basketball	Polished Brass	Copper
*01633	4	Basketball	Chrome Plated	Copper
*01755	4	Basketball	Polished Brass	Copper

GOLF BALL

PART	TAPS	STYLE	FINISH	COLD KIT
*01640	2	Golf Ball	Chrome Plated	Copper
*01762	2	Golf Ball	Polished Brass	Copper
*01641	3	Golf Ball	Chrome Plated	Copper
*01763	3	Golf Ball	Polished Brass	Copper
*01642	4	Golf Ball	Chrome Plated	Copper
*01764	4	Golf Ball	Polished Brass	Copper

FOOTBALL

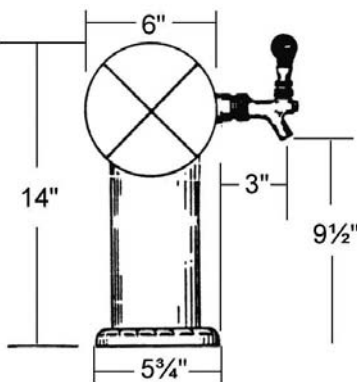
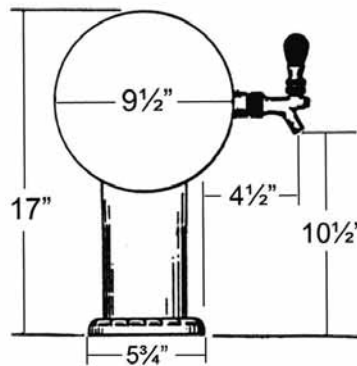
PART	TAPS	STYLE	FINISH	COLD KIT
*02266	2	Football	Chrome Plated	Copper
*02268	2	Football	Polished Brass	Copper
*02267	3	Football	Chrome Plated	Copper
*02269	3	Football	Polished Brass	Copper

TENNIS BALL

PART	TAPS	STYLE	FINISH	COLD KIT
*01646	2	Tennis Ball	Chrome Plated	Copper
*01768	2	Tennis Ball	Polished Brass	Copper
*01647	3	Tennis Ball	Chrome Plated	Copper
*01769	3	Tennis Ball	Polished Brass	Copper
*01648	4	Tennis Ball	Chrome Plated	Copper
*01770	4	Tennis Ball	Polished Brass	Copper

8 BALL

PART	TAPS	STYLE	FINISH	COLD KIT
*01637	2	8 Ball	Chrome Plated	Copper
*01759	2	8 Ball	Polished Brass	Copper
*01638	3	8 Ball	Chrome Plated	Copper
*01760	3	8 Ball	Polished Brass	Copper
*01639	4	8 Ball	Chrome Plated	Copper
*01761	4	8 Ball	Polished Brass	Copper



DRIP TRAY OPTIONS

SUGGESTED DRIP TRAYS FOR 2 OR 3 TAPS

PART	SIZE	FINISH	RINSER
01821	15" x 5" x 3/4"	Polished S.S.	NO
02042	15" x 5" x 1 1/8"	Brushed S.S.	YES
01824	15" x 5" x 1 1/8"	Brushed S.S.	NO
01836	400mmx400mmx40mm	Polished S.S.	YES
01834	400mmx180mmx30mm	Polished S.S.	YES
01818	14" x 8" x 3/4" w/6 1/4"	Polished S.S.	NO
01846	14" x 8" x 3/4" w/6 1/4"	Polished Brass	NO
01848	15" x 5" x 3/4"	Polished Brass	NO
01860	400mmx400mmx40mm	Brass Plated	YES

SUGGESTED DRIP TRAYS FOR 4 TAPS

PART	SIZE	FINISH	RINSER
01818	14" x 8" x 3/4" w/6 1/4"	Polished S.S.	NO
01846	14" x 8" x 3/4" w/6 1/4"	Polished Brass	NO

For drip trays see pages 24-27

*All Sport Ball towers are special order items.

Note: All Sport Ball towers are available with special order black finish.